



AQUALLA

A More Sustainable Choice



Scan Me



Lifestyle
Collection

January 2026



A stone tower with a conical roof and a red light on top, situated on a grassy hill at night. The sky is dark with many stars. The tower has several windows, some of which are lit from within. The hill is covered in green grass and some bushes.

About Aquilla

Headquartered in Newtownards, Aquilla are a dedicated team of bathroom brassware specialists pooling many years of experience to service customers throughout Ireland and the UK.

By specialising in a niche market, not only are we able to offer our customers the very best in product choice, quality and value; with Aquilla, you receive a 'local' service from start to finish; from design, marketing and logistics, to sales, customer service and support.

That's why customer satisfaction is at the forefront of everything that we do, and why we're so proud of the service we offer.

A More Sustainable Choice

FROM ECO-FRIENDLY PROCESSES TO CERTIFIED WATER-EFFICIENT PRODUCTS, WE'RE DEDICATED TO A GREENER, MORE RESPONSIBLE FUTURE.

Doing our part _____

Aqualla is dedicated to sustainability, offering water-efficient products that are rated and certified by the Unified Water Label Association. Our taps and showers are designed to use less water without compromising functionality.

Sustainability is a core value for us as we drive a transformative journey in 2025 and beyond. Join us in preserving resources for a more sustainable future, one tap at a time.

EcoVadis _____

In 2025, our parent group received a bronze ranking from EcoVadis, placing us among the top 35 percent of all companies assessed by EcoVadis globally over the past 12 months.

In an age where sustainability and responsible business practices are becoming increasingly essential, EcoVadis is a leading platform that evaluates companies' sustainability practices. By analysing the companies' performance in areas such as environment, working conditions, ethics and sustainable procurement, EcoVadis provides an objective and comprehensive view of our and others' sustainability efforts.



uwla.eu
aquallabrassware.com

Introduction

Drawing on many years combined experience in the industry, Aqualla offers a unique range of bathroom components, blending distinctive designs with practicality for both classic and contemporary living.

To demonstrate our commitment to our customers, we offer an 18 year warranty on all of our taps, showers and accessories, and a 5 year warranty on all of our towel warmers, radiators, mirrors, cisterns and flush plates.

This brochure is designed to give you an overview of our product portfolio, and we have included a water drop beside each tap and shower product, indicating the minimum working pressure required.

For Example:

- 0.5 0.5 bar is equal to 5 metres
- 1.0 1.0 bar is equal to 10 metres
- 2.0 2.0 bar is equal to 20 metres

PRESSURE KEY	
0.2	Low Pressure
0.3 - 1.0	Medium Pressure
Above 1.0	High Pressure

A bar being equivalent to the vertical distance measured in metres from the base of the storage tank to the tap or shower head.

Warranties

 <p>18 YEAR WARRANTY</p> <p>TAPS Come with a 18 Year Warranty*</p>	 <p>18 YEAR WARRANTY</p> <p>SHOWERS Come with a 18 Year Warranty*</p>	 <p>5 YEAR WARRANTY</p> <p>RADIATORS & TOWEL WARMERS Come with a 5 Year Warranty*</p>	 <p>5 YEAR WARRANTY</p> <p>MIRRORS Come with a 5 Year Warranty*</p>
--	---	---	---

*Subject to completion of online registration see page 52 for more information.

All above warranties include 2 years parts and labour, and the remaining period includes parts only.

Combining design, performance and sustainability across a wide collection of taps, showers, mirrors, towel warmers, bathroom accessories and more – discover all our products at aquallabrassware.com or scan the code to download our most recent brochure.





Contents

Brassware

Bryant	8
Vine	12
Lan	14
Luca	16
Hail	20
Fyn	22
Oxfordshire	24
Eco	26

Showering

Eco Glide Black Shower Kit	29
Eco Minimal Shower Kit	30
Eco Glide Shower Kit	31
Eco Bar Valve Kit	32
Eco Drench Showering	33

Towel Warmers and Radiators

Orleans Flat	36
Orleans Curved	37
Electric Heating Elements	38

Mirrors

Zen	41
Zest	42
Glow	43

Baths & Bath Screens

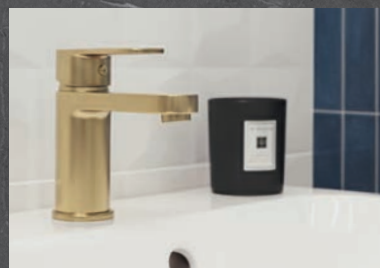
44

Kitchen Mixers

Georgia	51
Vine	51
Eco	51

Terms & Conditions

52



Bryant

The Lifestyle Collection



Features

- 18 year warranty
- Aerator for smooth water flow
- Complete with domed clicker waste (only applicable to basin mono taps)
- Compatible with low pressure systems



Bath Filler
B-BF

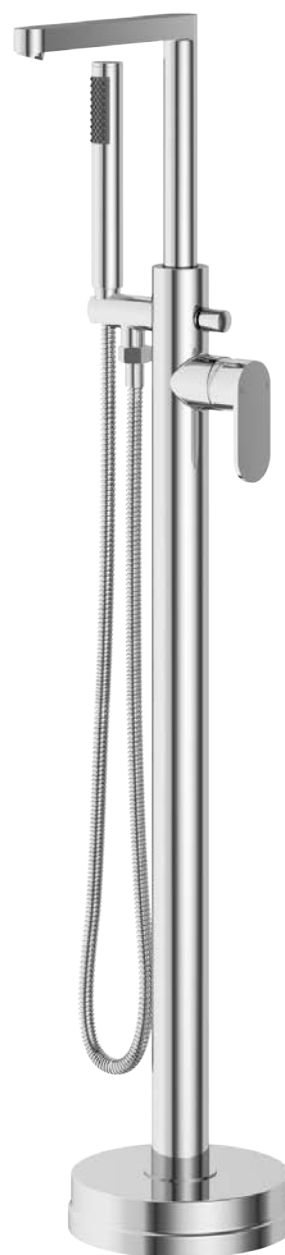
£175.20 Inc. VAT
£146.00 Net



Bath Shower Mixer
B-BS

£212.40 Inc. VAT
£177.00 Net

Comes complete with handset, hose and bracket as shown.



Freestanding Bath Shower Mixer
B-FB

£361.20 Inc. VAT
£301.00 Net



Basin Mono  0.2
B-BM
£94.80 Inc. VAT / £79.00 Net

CHOOSE YOUR
BRASSWARE

CHOOSE YOUR
SHOWERING OPTIONS

CHOOSE YOUR
TOWEL WARMER

CHOOSE YOUR
MIRROR

CHOOSE YOUR
BATH

CHOOSE YOUR
KITCHEN TAP

Bryant

The Lifestyle Collection



Features

- 18 year warranty
- Aerator for smooth water flow
- Complete with domed clicker waste (only applicable to basin mono taps)
- Compatible with low pressure systems



Basin Mono
B-BM-BL
£112.80 Inc. VAT
£94.00 Net



Bath Filler
B-BF-BL

£211.20 Inc. VAT
£176.00 Net



Bath Shower Mixer
B-BS-BL

£254.40 Inc. VAT
£212.00 Net



Comes complete with handset, hose and bracket as shown.



Basin Mono
B-BM-BB

£122.40 Inc. VAT
£102.00 Net



Bath Filler
B-BF-BB

£228.00 Inc. VAT
£190.00 Net



Bath Shower Mixer
B-BS-BB

£276.00 Inc. VAT
£230.00 Net



*Comes complete with handset,
hose and bracket as shown.*

CHOOSE YOUR
BRASSWARE

CHOOSE YOUR
SHOWERING OPTIONS

CHOOSE YOUR
TOWEL WARMER

CHOOSE YOUR
MIRROR

CHOOSE YOUR
BATH

CHOOSE YOUR
KITCHEN TAP

Vine

The Lifestyle Collection



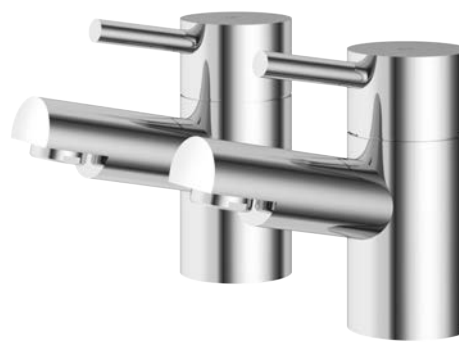
Features

- 18 year warranty
- Aerator for smooth water flow
- Complete with domed clicker waste (only applicable to basin mono taps)
- Compatible with low pressure systems



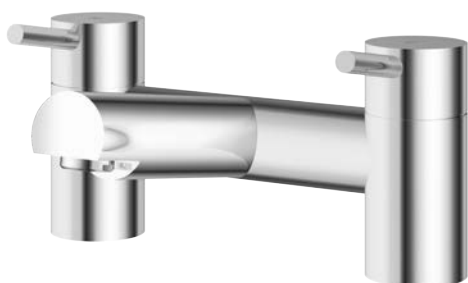
Basin Taps (Pair)
V-BNT

£102.00 Inc. VAT
£85.00 Net



Bath Taps (Pair)
V-BT

£123.60 Inc. VAT
£103.00 Net



Bath Filler
V-BF

£152.40 Inc. VAT
£127.00 Net



Bath Shower Mixer
V-BS

£175.20 Inc. VAT
£146.00 Net

Comes complete with handset, hose and bracket as shown.



Basin Mono  0.2
V-BM
£86.40 Inc. VAT / £72.00 Net

CHOOSE YOUR
BRASSWARE

CHOOSE YOUR
SHOWERING OPTIONS

CHOOSE YOUR
TOWEL WARMER

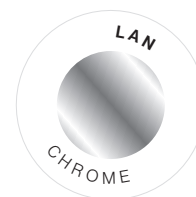
CHOOSE YOUR
MIRROR

CHOOSE YOUR
BATH

CHOOSE YOUR
KITCHEN TAP

Lan

The Lifestyle Collection



Features

- 18 year warranty
- Aerator for smooth water flow
- Complete with domed clicker waste (only applicable to basin mono taps)
- Compatible with low pressure systems



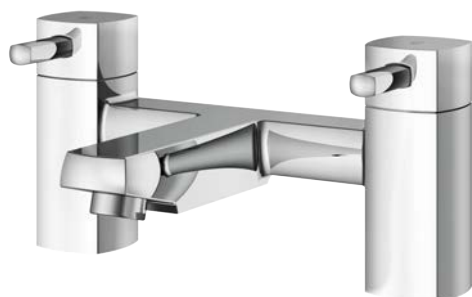
Mini Basin Mono
L-MBM

£99.60 Inc. VAT
£83.00 Net



Basin Taps (Pair)
L-BT

£120.00 Inc. VAT
£100.00 Net



Bath Filler
L-BF

£183.60 Inc. VAT
£153.00 Net




Bath Shower Mixer
L-BS

£188.40 Inc. VAT
£157.00 Net

Comes complete with handset, hose and bracket as shown.



Optimised
for
Low Pressure
Systems

Basin Mono  0.2
L-BM
£102.00 inc. VAT / £85.00 Net

CHOOSE YOUR
BRASSWARE

CHOOSE YOUR
SHOWERING OPTIONS

CHOOSE YOUR
TOWEL WARMER

CHOOSE YOUR
MIRROR

CHOOSE YOUR
BATH

CHOOSE YOUR
KITCHEN TAP

Luca

The Lifestyle Collection



Features

- 18 year warranty
- Aerator for smooth water flow
- Complete with domed clicker waste (only applicable to basin mono taps)
- Compatible with low pressure systems



Basin Mono
LU-BM

£84.00 Inc. VAT
£70.00 Net



Tall Basin Mono
LU-TB

£136.80 Inc. VAT
£114.00 Net



Bath Filler
LU-BF

£148.80 Inc. VAT
£124.00 Net



Bath Shower Mixer
LU-BS

£170.40 Inc. VAT
£142.00 Net

Comes complete with handset, hose and bracket as shown.



CHOOSE YOUR
BRASSWARE

CHOOSE YOUR
SHOWERING OPTIONS

CHOOSE YOUR
TOWEL WARMER

CHOOSE YOUR
MIRROR

CHOOSE YOUR
BATH

CHOOSE YOUR
KITCHEN TAP

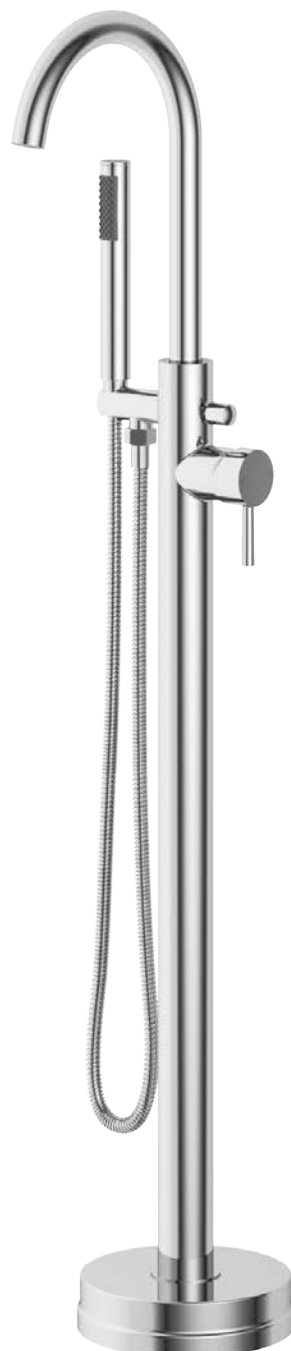
Luca

The Lifestyle Collection



Features

- 18 year warranty
- Aerator for smooth water flow
- Complete with domed clicker waste (only applicable to basin mono taps)
- Compatible with low pressure systems



**Luca Freestanding
Bath Shower Mixer** 
LU-FB

£458.40 Inc. VAT / £382.00 Net



Luca Plus Thermostatic Bath Shower Mixer
LUP-TBF

Suitable for wall or bath mounting.

Luca Plus Thermostatic Bath Shower Mixer comes complete with legs for bath mounting.

£267.60 Inc. VAT
£223.00 Net



Luca Thermostatic Bath Shower Mixer
LU-TBF

Suitable for wall or bath mounting.

Luca Thermostatic Bath Shower Mixer comes complete with legs for bath mounting.

£243.60 Inc. VAT
£203.00 Net



Luca Plus Thermostatic Bath Shower Mixer with Triple Mode Slide Rail Kit
LUP-KIT

Luca Plus Thermostatic Bath Shower Mixer suitable for wall or bath mounting - comes complete with legs for bath mounting.

£348.00 Inc. VAT
£290.00 Net



CHOOSE YOUR
BRASSWARE

CHOOSE YOUR
SHOWERING OPTIONS

CHOOSE YOUR
TOWEL WARMER

CHOOSE YOUR
MIRROR

CHOOSE YOUR
BATH

CHOOSE YOUR
KITCHEN TAP

Hail

The Lifestyle Collection



Features

- 18 year warranty
- Aerator for smooth water flow
- Swivel spout on Basin Mono options
- Complete with domed clicker waste (only applicable to basin mono taps)
- Compatible with low pressure systems



Basin Mono
H-BM

£115.20 Inc. VAT
£96.00 Net



Basin Taps (Pair)
H-BT

£88.80 Inc. VAT
£74.00 Net



Bath Filler
H-BF

£144.00 Inc. VAT
£120.00 Net



Bath Shower Mixer
H-BS

£168.00 Inc. VAT
£140.00 Net

Comes complete with handset, hose and bracket as shown.



CHOOSE YOUR
BRASSWARE

CHOOSE YOUR
SHOWERING OPTIONS

CHOOSE YOUR
TOWEL WARMER

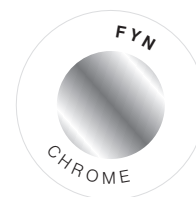
CHOOSE YOUR
MIRROR

CHOOSE YOUR
BATH

CHOOSE YOUR
KITCHEN TAP

Fyn

The Lifestyle Collection



Features

- 18 year warranty
- Open spout design
- Complete with domed clicker waste (only applicable to basin mono taps)
- Compatible with low pressure systems



Basin Mono
FYN-BM
£104.40 Inc. VAT
£87.00 Net



Bath Filler
FYN-BF

£157.20 Inc. VAT
£131.00 Net



Bath Shower Mixer
FYN-BS

£183.60 Inc. VAT
£153.00 Net



*Comes complete with handset,
hose and bracket as shown.*



CHOOSE YOUR
BRASSWARE

CHOOSE YOUR
SHOWERING OPTIONS

CHOOSE YOUR
TOWEL WARMER

CHOOSE YOUR
MIRROR

CHOOSE YOUR
BATH

CHOOSE YOUR
KITCHEN TAP

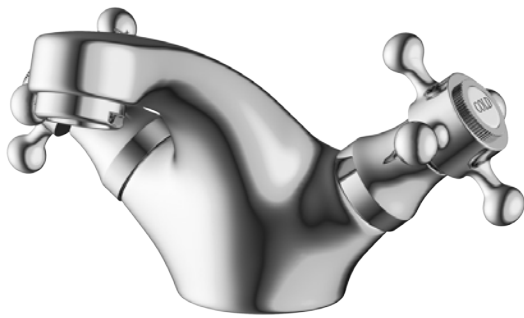
Oxfordshire

The Lifestyle Collection



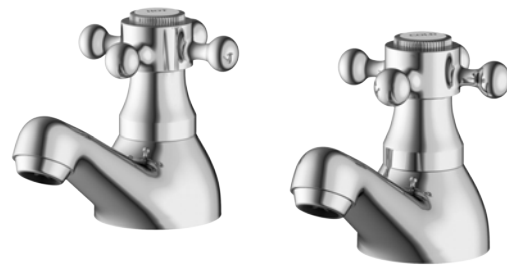
Features

- 18 year warranty
- Aerator for smooth water flow
- Complete with domed clicker waste (only applicable to basin mono taps)
- Compatible with low pressure systems



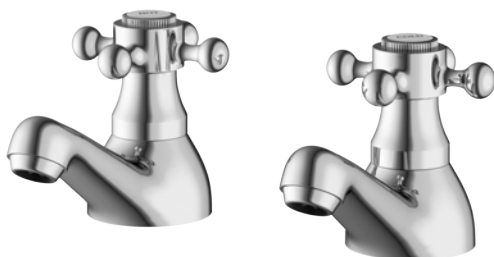
Basin Mono
OX-BM

£112.80 Inc. VAT
£94.00 Net



Basin Taps (Pair)
OX-BNT

£62.40 Inc. VAT
£52.00 Net



Bath Taps (Pair)
OX-BHT

£66.00 Inc. VAT
£55.00 Net



Bath Shower Mixer
OX-BS

£214.80 Inc. VAT
£179.00 Net



Comes complete with handset, hose and bracket as shown.



CHOOSE YOUR
BRASSWARE

CHOOSE YOUR
SHOWERING OPTIONS

CHOOSE YOUR
TOWEL WARMER

CHOOSE YOUR
MIRROR

CHOOSE YOUR
BATH

CHOOSE YOUR
KITCHEN TAP

Eco

The Lifestyle Collection



Features

- 18 year warranty
- Aerator for smooth water flow
- Complete with domed clicker waste (only applicable to basin mono taps)
- Compatible with low pressure systems



Basin Mono
E-BM

£75.60 Inc. VAT
£63.00 Net



Eco One Basin Mono
EO-BM

£62.40 Inc. VAT
£52.00 Net



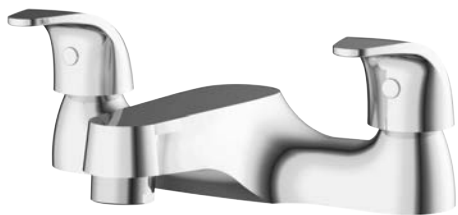
Basin Taps (Pair)
E-BNT

£66.00 Inc. VAT
£55.00 Net



Bath Taps (Pair)
E-BHT

£66.00 Inc. VAT
£55.00 Net



Bath Filler
E-BF

£102.00 Inc. VAT
£85.00 Net



Bath Shower Mixer
E-BS

£144.00 Inc. VAT
£120.00 Net

*Comes complete with handset,
hose and bracket as shown.*



CHOOSE YOUR
BRASSWARE

CHOOSE YOUR
SHOWERING OPTIONS

CHOOSE YOUR
TOWEL WARMER

CHOOSE YOUR
MIRROR

CHOOSE YOUR
BATH

CHOOSE YOUR
KITCHEN TAP

Introduction to Showering

Available in several configurations, this collection of shower kits are designed to complement all Aqulla products.

Warranty



SHOWERS
in all finishes includes an
Aqulla 18 Year Warranty

Warranty includes 2 years parts & labour,
and the remaining period includes parts only.



Eco Glide

Code: ECO-GLI-BL 

£469.20 Inc. VAT / £391.00 Net

Features

- 200mm stainless steel showerhead
- Single-piece Grade A brass valve body
- Easy access cleaning filters
- 390mm brass shower arm
- Slide rail kit with multi-function ABS handset
- Integrated diverter
- Ribbed hose

Valve fitted vertically.



CHOOSE YOUR
BRASSWARE

CHOOSE YOUR
SHOWERING OPTIONS

CHOOSE YOUR
TOWEL WARMER

CHOOSE YOUR
MIRROR

CHOOSE YOUR
BATH

CHOOSE YOUR
KITCHEN TAP



Eco Minimal

Code: ECO-MIN 

£506.40 Inc. VAT / £422.00 Net

Features

- 200mm ABS showerhead
- Single-piece Grade A brass valve body
- Easy access cleaning filters
- 390mm brass shower arm
- Multi-function ABS handset
- Integrated diverter
- Integrated brass wall outlet
- Smooth hose

Valve fitted vertically.





Eco Glide

Code: ECO-GLI 

£506.40 Inc. VAT / £422.00 Net

Features

- 200mm ABS showerhead
- Single-piece Grade A brass valve body
- Easy access cleaning filters
- 390mm brass shower arm
- Slide rail kit with multi-function ABS handset
- Integrated diverter
- Smooth hose

Valve fitted vertically.



CHOOSE YOUR
BRASSWARE

CHOOSE YOUR
SHOWERING OPTIONS

CHOOSE YOUR
TOWEL WARMER

CHOOSE YOUR
MIRROR

CHOOSE YOUR
BATH

CHOOSE YOUR
KITCHEN TAP

Eco Bar Valve Kit

With T38 Anti-scald

Multi-Function Handset

Adjustable Handset Height

Complete with FastFix Kit



Code: E-BV  0.5

£189.60 Inc. VAT / £158.00 Net

Eco Drench Square



Eco Drench Round



CHOOSE YOUR
BRASSWARE

CHOOSE YOUR
SHOWERING OPTIONS

CHOOSE YOUR
TOWEL WARMER

CHOOSE YOUR
MIRROR

CHOOSE YOUR
BATH

CHOOSE YOUR
KITCHEN TAP

Introduction to Towel Warmers

**Add a touch of luxury to your
bathroom with one of our
Orleans towel warmers.**

All of our towel warmers are
compliant with EN442 standards.

Warranty



**TOWEL WARMER &
RADIATOR COLLECTION**
in all finishes include an
Aqualla 5 Year Warranty

Warranty includes 2 years parts and labour,
and the remaining period includes parts only.





CHOOSE YOUR
BRASSWARE

CHOOSE YOUR
SHOWERING OPTIONS

CHOOSE YOUR
TOWEL WARMER

CHOOSE YOUR
MIRROR

CHOOSE YOUR
BATH

CHOOSE YOUR
KITCHEN TAP

Orleans Flat



Colour	Code	Height	Width	Pipe Centres*	Number of Crossbars	BTU (50 °C)	BTU (60 °C)	Price Inc. VAT	Price Net
Chrome	ORL80-5F	800mm	500mm	450mm	12	728	925	£139.20	£116.00
Chrome	ORL80-6F	800mm	600mm	550mm	12	832	1057	£146.40	£122.00
Chrome	ORL120-5F	1200mm	500mm	450mm	18	1091	1386	£206.40	£172.00
Chrome	ORL120-6F	1200mm	600mm	550mm	18	1248	1585	£216.00	£180.00
Chrome	ORL180-5F	1800mm	500mm	450mm	30	1755	2229	£331.20	£276.00
Chrome	ORL180-6F	1800mm	600mm	550mm	30	2016	2560	£345.60	£288.00

Chrome Round Angled Valve R-WV

£27.60 Inc. VAT
£23.00 Net



Chrome Round Straight Valve R-FV

£27.60 Inc. VAT
£23.00 Net



Chrome Round Corner Valves R-CV

£50.40 Inc. VAT
£42.00 Net



Orleans Curved



Colour	Code	Height	Width	Pipe Centres*	Number of Crossbars	BTU (50 °C)	BTU (60 °C)	Price Inc. VAT	Price Net
Chrome	ORL80-5C	800mm	500mm	450mm	12	759	964	£151.20	£126.00
Chrome	ORL80-6C	800mm	600mm	550mm	12	864	1097	£157.20	£131.00
Chrome	ORL120-5C	1200mm	500mm	450mm	18	1139	1447	£216.00	£180.00
Chrome	ORL120-6C	1200mm	600mm	550mm	18	1295	1645	£234.00	£195.00
Chrome	ORL180-5C	1800mm	500mm	450mm	30	1833	2328	£342.00	£285.00
Chrome	ORL180-6C	1800mm	600mm	550mm	30	2095	2661	£355.20	£296.00

Chrome Round Angled Valve
R-WV

£27.60 Inc. VAT
£23.00 Net



Chrome Round Straight Valve
R-FV

£27.60 Inc. VAT
£23.00 Net



Chrome Round Corner Valves
R-CV

£50.40 Inc. VAT
£42.00 Net



*Distance from wall to pipe centres - 71-86mm.

All BTU ratings at 50 °C are for the EN442 regulation test and the BTU ratings at 60 °C are for comparison.

Electric Heating Options

Warm your towels when your heating is off by switching to an electric heat source with our selection of electric heating options.

Electric Element

- Constant power (CP) heating element
- Compatible with Dual fuel
- Various wattages available to suit all sizes of towel rails
- 2 year warranty
- Element has a 1.2m white cable for hard wiring

Please see table opposite for correct wattage element to suit your towel warmer.



Electric Element 200 Watts

CH	EE200W	£82.80 Inc. VAT £69.00 Net
----	--------	--------------------------------------

Electric Element 400 Watts

CH	EL400W	£98.40 Inc. VAT £82.00 Net
----	--------	--------------------------------------

Electric Element 600 Watts

CH	EL600W	£103.20 Inc. VAT £86.00 Net
----	--------	---------------------------------------

Electric Element 900 Watts

CH	EE900W	£100.80 Inc. VAT £84.00 Net
----	--------	---------------------------------------

Thermostatic Element

- Digital controls
- 2-hour heat booster
- Single time setting for daily use
- Various wattages available to suit all sizes of towel rails
- Compatible with dual fuel
- 2-year warranty
- Element has a 1.2m white cable for hard wiring

Please see table opposite for correct wattage element to suit your towel warmer.



Thermostatic Element 300

CH	TE300	£177.60 Inc. VAT £148.00 Net
----	-------	--

Thermostatic Element 600

CH	TE600	£190.80 Inc. VAT £159.00 Net
----	-------	--



CHOOSE YOUR
BRASSWARE

CHOOSE YOUR
SHOWERING OPTIONS

CHOOSE YOUR
TOWEL WARMER

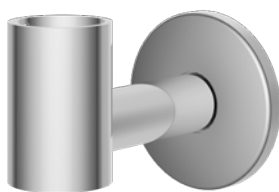
CHOOSE YOUR
MIRROR

CHOOSE YOUR
BATH

CHOOSE YOUR
KITCHEN TAP

PLEASE SEE TABLE BELOW TO FIND CORRECT SIZE FOR YOUR TOWEL WARMER

Towel Warmer	Size (mm)	Electric Element Required (W)	Product Code	Thermostatic Element Required (W)	Product Code
Orleans	800 x 500	200	EE200W	300	TE300
Orleans	800 x 600	200	EE200W	300	TE300
Orleans	1200 x 500	400	EL400W	600	TE600
Orleans	1200 x 600	400	EL400W	600	TE600
Orleans	1800 x 500	600	EL600W	600	TE600
Orleans	1800 x 600	600	EL600W	600	TE600



Elements Cable Cover Kit

CH EE-CK-CH **£25.20 Inc. VAT**
£21.00 Net



T-Piece

CH ELTP **£15.60 Inc. VAT**
£13.00 Net

Introduction to Mirrors

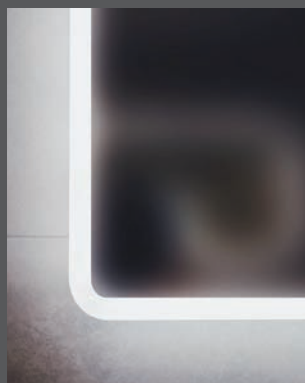
Aqualla's collection of mirror styles include features to suit every bathroom.

All mirrors are fitted with a heated demister pad to prevent condensation when the mirror is switched on and use 5mm safety backed glass. At Aqualla we understand that each customer's style requirements are different, which is why we offer portrait or landscape fitting options throughout our range.

All mirrors are IP44 rated.



All mirrors with infrared on/off sensors require a minimum 150mm clearance from the sensor to any surface.



Warranty



MIRROR COLLECTION
in all finishes include an
Aqualla 5 Year Warranty

Warranty includes 2 years parts and labour,
and the remaining period includes parts only.



Zen

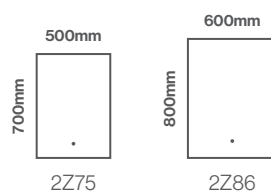
Features

- Energy efficient LED lighting
- Heated demister pad
- Electric toothbrush & shaver charging socket
- Touch switch power control

Size Options

Code	Dimensions	Price
2Z75	700mm x 500mm	£280.80 Inc. VAT / £234.00 Net
2Z86	800mm x 600mm	£315.60 Inc. VAT / £263.00 Net

Portrait Fitting Only





Zest

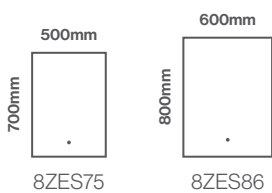
Size Options

Code	Dimensions	Price
8ZES75	700mm x 500mm	£315.60 Inc. VAT / £263.00 Net
8ZES86	800mm x 600mm	£350.40 Inc. VAT / £292.00 Net

Features

- Energy efficient LED lighting
- Heated demister pad
- Electric toothbrush & shaver charging socket
- Touch switch power control

Portrait Fitting Only





Glow

CHOOSE YOUR
BRASSWARE

CHOOSE YOUR
SHOWERING OPTIONS

CHOOSE YOUR
TOWEL WARMER

CHOOSE YOUR
MIRROR

Size Options

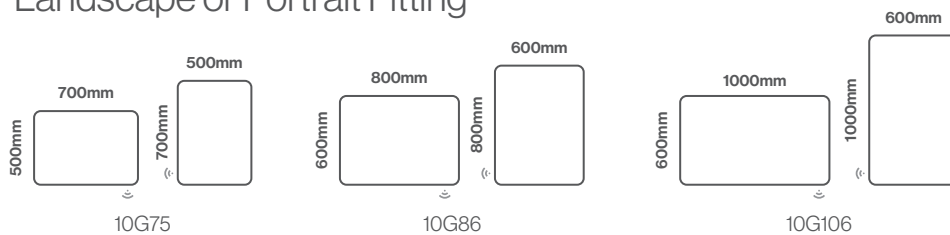
Code	Dimensions	Price
10G75	700mm x 500mm	£315.60 Inc. VAT / £263.00 Net
10G86	800mm x 600mm	£333.60 Inc. VAT / £278.00 Net
10G106	1000mm x 600mm	£350.40 Inc. VAT / £292.00 Net

Features

- Energy efficient LED lighting
- Heated demister pad
- Infrared on/off sensor

CHOOSE YOUR
BATH

Landscape or Portrait Fitting



CHOOSE YOUR
KITCHEN TAP

Baths & Bath Screens



Warranty



**BATH & BATH SCREEN
COLLECTION** includes an
Aqualla 10 Year Warranty

Warranty includes 2 years parts and labour,
and the remaining period includes parts only.

P-Shape & L-Shape Baths

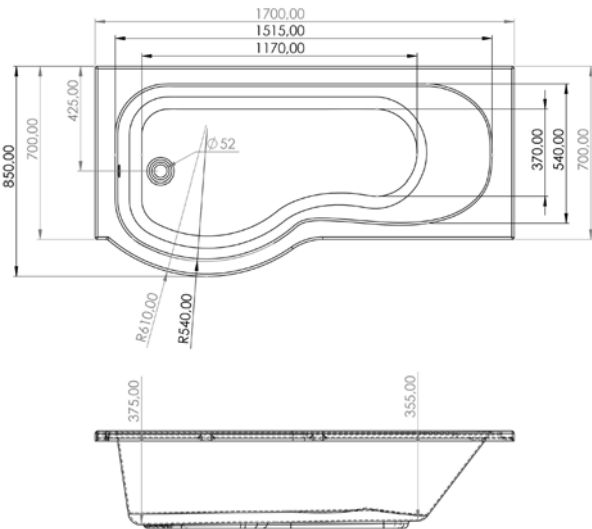
P-Shape Bath



P-Shape Bath
(Left Handed)



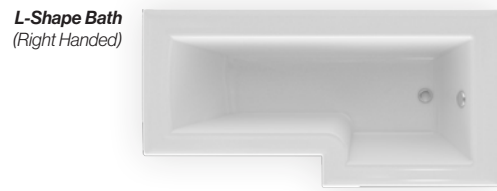
P-Shape Bath
(Right Handed)



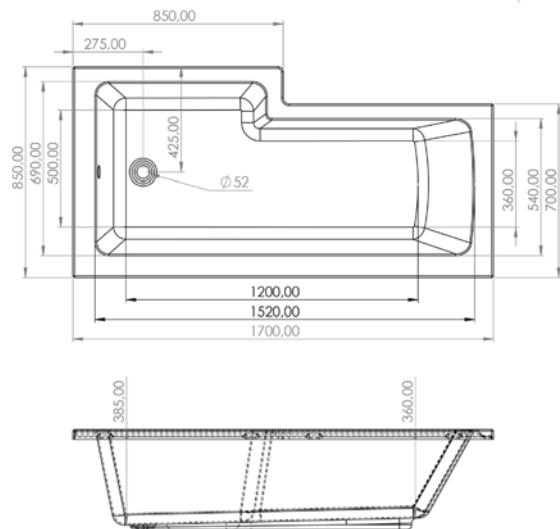
L-Shape Bath



L-Shape Bath
(Left Handed)



L-Shape Bath
(Right Handed)



Description

Code

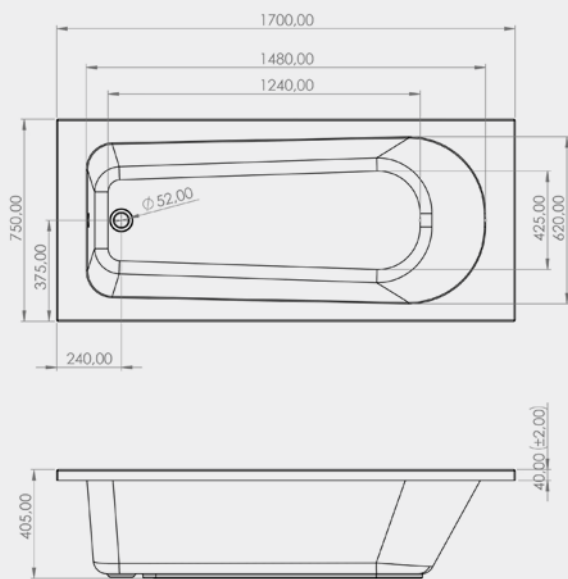
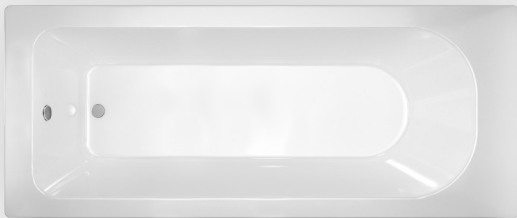
Price Inc. VAT

Price Net

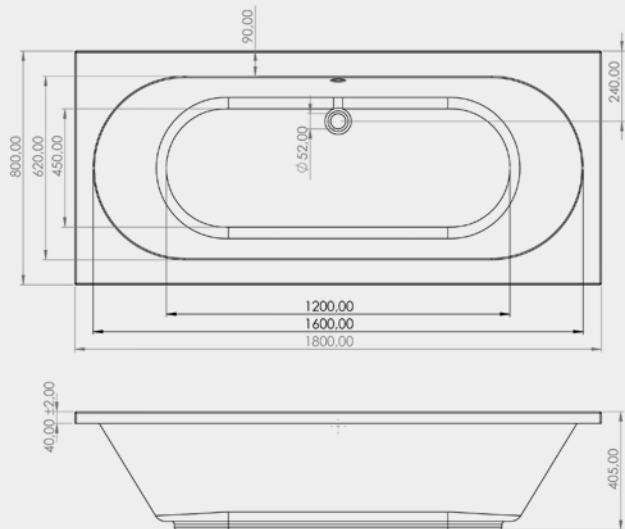
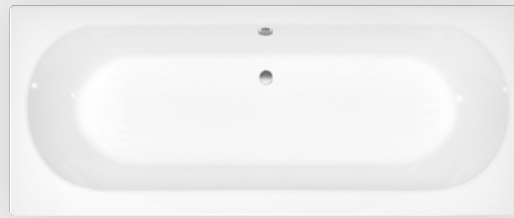
Description	Code	Price Inc. VAT	Price Net
P-Shape – 1500 x 850mm Shower Bath LH	PLH/15X850	£424.80	£354.00
P-Shape – 1500 x 850mm Shower Bath RH	PRH/15X850	£424.80	£354.00
P-Shape – 1700 x 850mm Shower Bath LH	PLH/17X850	£444.00	£370.00
P-Shape – 1700 x 850mm Shower Bath RH	PRH/17X850	£444.00	£370.00
L-Shape – 1500 x 850mm Shower Bath LH	LLH/15X850	£444.00	£370.00
L-Shape – 1500 x 850mm Shower Bath RH	LRH/15X850	£444.00	£370.00
L-Shape – 1700 x 850mm Shower Bath LH	LLH/17X850	£444.00	£370.00
L-Shape – 1700 x 850mm Shower Bath RH	LRH/17X850	£444.00	£370.00

Round Pro Baths

Single Ended Bath



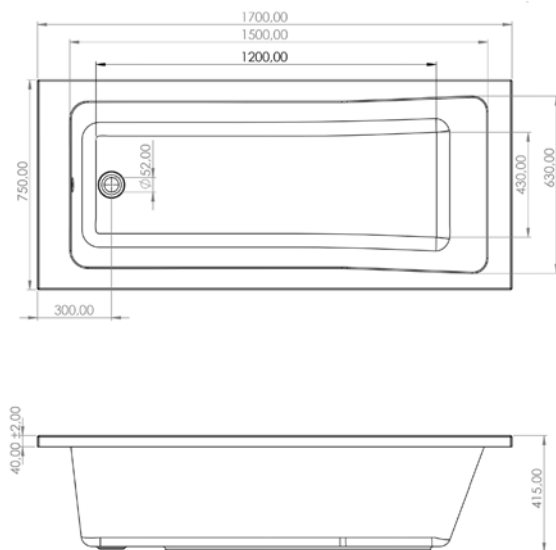
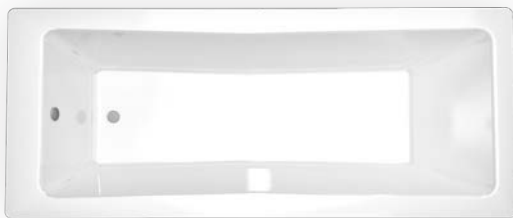
Double Ended Bath



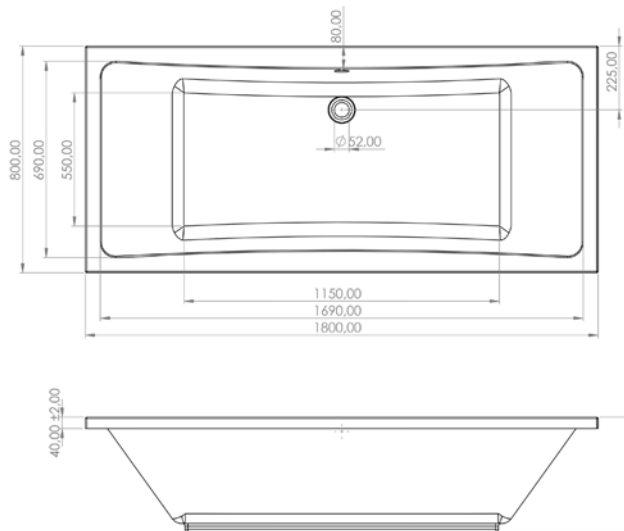
Description	Code	Price	Price
		Inc. VAT	Net
Round Pro – 1500 x 700mm Single Ended Bath	RPSE/15X700	£327.60	£273.00
Round Pro – 1700 x 700mm Single Ended Bath	RPSE/17X700	£327.60	£273.00
Round Pro – 1700 x 750mm Single Ended Bath	RPSE/17X750	£345.60	£288.00
Round Pro – 1700 x 750mm Double Ended Bath	RPDE/17X750	£358.80	£299.00
Round Pro – 1800 x 800mm Double Ended Bath	RPDE/18X800	£445.20	£371.00

Square Pro Baths

Single Ended Bath



Double Ended Bath



Description	Code	Price	Price
		Inc. VAT	Net
Square Pro – 1500 x 700mm Single Ended Bath	SPSE/15X700	£327.60	£273.00
Square Pro – 1700 x 700mm Single Ended Bath	SPSE/17X700	£327.60	£273.00
Square Pro – 1700 x 750mm Single Ended Bath	SPSE/17X750	£345.60	£288.00
Square Pro – 1700 x 750mm Double Ended Bath	SPDE/17X750	£358.80	£299.00
Square Pro – 1800 x 800mm Double Ended Bath	SPDE/18X800	£445.20	£371.00

Bath Panels & Bath Screens



Round
Bath Screen



L-Shape
Bath Screen



P-Shape
Bath Screen

Bath Panels

Description	Code	Price Inc. VAT	Price Net
1700mm Front Panel	PANF/P1700	£62.40	£52.00
1500mm Front Panel	PANF/P1500	£55.20	£46.00
700mm End Panel	PANE/P700	£43.20	£36.00
700mm P&L Shape End Panel	PLEP/700	£43.20	£36.00
750mm End Panel	PANE/P750	£49.20	£41.00
1800mm Front Panel	PANF/P1800	£64.80	£54.00
800mm End Panel	PANE/P800	£55.20	£46.00
P-Shape Shower Bath Front Panel	PFP/1500	£117.60	£98.00
P-Shape Shower Bath Front Panel	PFP/1700	£129.60	£108.00
L-Shape Shower Bath Front Panel	LFP/1500	£117.60	£98.00
L-Shape Shower Bath Front Panel	LFP/1700	£129.60	£108.00

Bath Screens

Description	Code	Price Inc. VAT	Price Net
Round Bath Screen	RBS/780	£187.20	£156.00
L-Shape Bath Screen	LBS/810	£291.60	£243.00
P-Shape Bath Screen	PBS/780	£212.40	£177.00



CHOOSE YOUR
BRASSWARE

CHOOSE YOUR
SHOWERING OPTIONS

CHOOSE YOUR
TOWEL WARMER

CHOOSE YOUR
MIRROR

CHOOSE YOUR
BATH

CHOOSE YOUR
KITCHEN TAP



Unified Water Labelling
GREEN BAND CERTIFICATION
See page 4 for further details

Vine Kitchen Mixer

Kitchen Mixers



**Hail
Kitchen Mixer**
Chrome

Code: H-KM

£104.40 Inc. VAT
£87.00 Net



**Georgia
Kitchen Mixer**
Chrome

Code: G-KM

£121.20 Inc. VAT
£101.00 Net



**Vine
Kitchen Mixer**
Chrome

Code: V-KM

£141.60 Inc. VAT
£118.00 Net



**Eco
Kitchen Mixer**
Chrome

Code: E-KM

£64.80 Inc. VAT
£54.00 Net

CHOOSE YOUR
BRASSWARE

CHOOSE YOUR
SHOWERING OPTIONS

CHOOSE YOUR
TOWEL WARMER

CHOOSE YOUR
MIRROR

CHOOSE YOUR
BATH

CHOOSE YOUR
KITCHEN TAP

Terms & Conditions

Aqualla Brassware Ltd Terms and Conditions of Business

The under noted terms and conditions of Aqualla Brassware Ltd supersede all previous company terms and conditions unless otherwise agreed in writing by a Director of Aqualla Brassware Ltd.

DEFINITIONS

The seller is Aqualla Brassware Ltd.

The buyer refers to the Company or persons by, or on behalf of, whom the order is generated.

Goods refer to items described on the Seller's brochure, invoice or delivery note.

QUOTATIONS

Aqualla Brassware Ltd's quotations are provisional in so far as they are subject to change due to any fluctuation in the price of raw materials or exchange rates.

DELIVERY

Aqualla will endeavour to deliver its products by an agreed date but will not be liable for any failure to deliver on the agreed date.

Collection by the Buyer or an agent will constitute delivery.

WARRANTY

Most of our products have an extended warranty option at no extra cost. Extended warranty is subject to completion of the online product registration on <https://aquallabrassware.com/productregistration/> that must take place within 90 days of purchase.

Taps and Showers:

Aqualla Brassware Ltd taps and showers all have an 18 year warranty when registered online (2 years parts and labour / Remaining 16 years parts only). Exclusions include: Hoses - 2 year warranty, O rings, Diverter and Cartridges – 5-year warranty.

Towel Warmers:

Aqualla Brassware Ltd towel warmers have a 5-year warranty when registered online (2 years parts and labour / Remaining 3 years parts only), and Aqualla Brassware Ltd valves have a 2 year warranty.

Accessories:

Aqualla Brassware Ltd accessories have an 18 year warranty (from March 2025) when registered online (2 years parts and labour / Remaining 10 years parts only).

Radiators: All Aqualla Brassware Ltd radiators have a 5-year warranty when registered online, (2 years parts and labour / Remaining 3 years parts only). Electric heat elements have a 2-year warranty.

Mirrors:

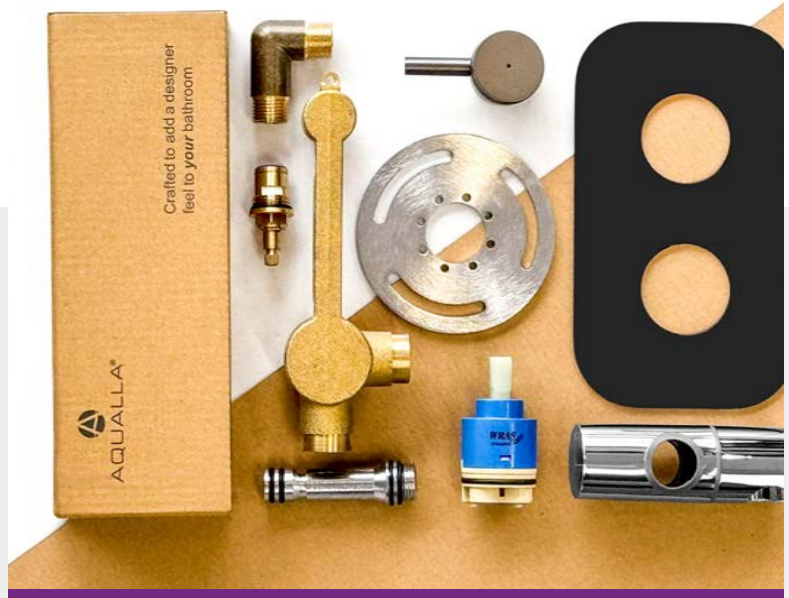
Aqualla Brassware Ltd mirrors have a 5-year warranty when registered online, (2 years parts and labour / Remaining 3 years parts only).

Aqualla Brassware Ltd will make a discretionary decision to either replace or repair, at their own expense, defects in goods arising from faulty workmanship provided that the Buyer will have given written notice to the Seller as soon as is reasonably practical. Aqualla Brassware Ltd's liability in respect of any defect will be limited to the repair or replacement of the goods in question and if damage or loss occurs to the goods in transit, the Seller shall repair or replace the specified goods if notification is made in writing within seven days of the goods being dispatched from its premises.

POLICY OF CONTINUOUS IMPROVEMENT

Aqualla Brassware Ltd will continually strive to achieve the highest level of quality and improvement of products.

Aqualla Brassware Ltd reserves the right to alter or amend any product specification without prior notice to its customers. Colours are as accurate as the printing process will allow.



PAYMENT AND OWNERSHIP

The goods shall remain the property of Aqualla Brassware Ltd until the Buyer has settled the invoice in full.

Aqualla Brassware Ltd will be entitled to repossess the goods and enter onto any premises where the goods may be located if the Buyer breaches the contract in any way. This includes acts of insolvency, bankruptcy, attempts to make arrangements with any creditors or any petition passed to a Receiver or a Court.

If Aqualla Brassware Ltd is placed in any situation where it has to repossess its products, the Buyer will be liable to pay the difference between the price of the goods and their value on repossession.

Should Aqualla Brassware Ltd be entitled to repossess goods and unable to do so for any reason, the Buyer will pay to the Seller the full purchase price as per their invoice.

Any discount offered to the customer is detailed on the invoice.

PRODUCT CARE

Aqualla recommend that you do not use any abrasive sponges or scouring agents for cleaning. We also advise that you do not use cleaning agents containing abrasives such as solvent or acid, limescale removers, household vinegar and cleaning agents with acetic acid in them.

Damage to the surface and underlying material resulting from improper treatment is not covered by warranty.

GENERAL

No corrosive substances are to be placed into Aqualla Aromawell as this could be hazardous to your health.

Proof of purchase will be required for all warranty claims.

Aqualla reserves the right to amend prices without notice due to errors or omissions.



With Aqualla, you receive a
'local' service from start to finish

From design, marketing
and logistics, to sales,
customer service and support.

Customer satisfaction is at the
forefront of everything that we do.



AQUALLA®

Award Winning Products



Bathroom & Kitchen
Update Awards
AWARD WINNER 2023
Best Shower Brand



Bathroom & Kitchen
Update Awards
AWARD WINNER 2021
Best Shower Brand



Northern Ireland
Plumbing & Heating
AWARD WINNER 2021
Supplier of the Year



AQUALLA®
A More Sustainable Choice

Inspired
Looks
Endless
Possibilities

Your New
Aqualla
Brochure
Has Arrived



Scan the QR Code to
view the new brochure

aquallabrassware.com



Strangford House
4 Jubilee Road, Newtownards BT23 4WN

Tel: +44 (0) 28 9182 8000

Sales Enquiries

info@aquallabrassware.com

Technical and Aftersales

support@aquallabrassware.com

aquallabrassware.com



Scan the QR Code to download
a PDF version of this brochure



Aqualla Brassware Limited is registered in Northern Ireland, Registration Number NI608481
With a registered office at Units 2-4, 16 Crawfordsburn Road,
Newtownards, County Down BT23 4EA

Designed and printed in Belfast

For Internal
Use Only

Edition 6.0
January 2026 / Sterling

