

AQUALISA®



Connect with your shower



EXPLORE

2 WELCOME TO AQUALISA®

8 SMART SHOWERS

- 12 QUARTZ TOUCH™
- 16 QUARTZ CLASSIC™
- 20 QUARTZ BLUE™
- 24 ISYSTEM™

28 MIXER SHOWERS

- 30 DREAM™ - SQUARE
- 32 DREAM™ - ROUND
- 34 AQUATIQUE™
- 36 MIDAS™ 220 - CHROME
- 38 MIDAS™ 220 - MATT BLACK
- 40 MIDAS™ 220 - MATT WHITE
- 42 MIDAS™ 110
- 44 AQUASTREAM™ POWER SHOWER

46 ELECTRIC SHOWERS

- 48 EVOLVE™
- 52 LUMI™

54 TAPS

- 56 DOWNTOWN™ - CHROME
- 57 DOWNTOWN™ - BLACK
- 58 UPTOWN™
- 59 CENTRAL™

60 TECHNICAL INFORMATION

62 SMART SHOWERS

- 62 QUARTZ TOUCH™
- 66 QUARTZ CLASSIC™
- 72 QUARTZ BLUE™
- 76 ISYSTEM™

80 MIXER SHOWERS

- 80 DREAM™ - SQUARE
- 82 DREAM™ - ROUND
- 84 AQUATIQUE™
- 86 MIDAS™ 220 - CHROME
- 88 MIDAS™ 220 - MATT BLACK
- 90 MIDAS™ 220 - MATT WHITE
- 92 MIDAS™ 110
- 94 MIDAS™ 100
- 96 AQUASTREAM™
- 98 DREAM™ DL
- 98 ASPIRE™ DL
- 100 SIREN™ SL
- 100 COLT™
- 102 AQUAVALVE™ 609
- 104 AQUAVALVE™ 700

104 ELECTRIC SHOWERS

- 106 EVOLVE™
- 108 LUMI™

110 TAPS

- 110 DOWNTOWN™ TAPS - CHROME
- 110 DOWNTOWN™ TAPS - BLACK
- 112 UPTOWN™ TAPS
- 114 CENTRAL™ TAPS

116 COMPARISON CHARTS

124 CHOOSING YOUR SHOWER

126 BATHROOM MAKEOVERS

128 WATER SAVING INNOVATIONS

129 CONTACT US



EXPERIENCE

Every shower is a personal experience.
A boost in the morning, or a soothing and
relaxing way to end the day. Sensory or restorative.
Calming or invigorating. We believe that a shower
should be perfect every time, even if
every time is different.



AQUALISA

39



∅ 69

8.5



INNOVATE

At Aqualisa® we are pioneers. We designed the first smart shower more than 20 years ago, making it simple to have the shower you want. Digital technology enables intuitive and precise controls. Safe, reliable performance at the touch of a button – or simply controlled by your voice. Your experience is at the core of our innovation.

SMART SHOWERS



Our smart showers combine intelligent, personalised, eco-friendly features with the option to control with the Aqualisa® app, remote or your voice.

SMART SHOWER RANGES	10
TECHNICAL INFORMATION	60

MIXER SHOWERS



Choose from a wide selection of high-performance mixer showers featuring stylish designs and colourways to suit every interior.

MIXER SHOWER RANGES	28
TECHNICAL INFORMATION	80

ELECTRIC SHOWERS



Simple to use, our safe and environmentally-friendly electric showers deliver a powerful experience with no demand on your hot water supply.

ELECTRIC SHOWER RANGES	46
TECHNICAL INFORMATION	106

BATHROOM TAPS



Available in an array of styles, colours and finishes, complete your bathroom design with our stunning collection of taps.

TAP RANGES	54
TECHNICAL INFORMATION	110

SMART SHOWERS

Connect with your shower

Intelligent yet extremely simple to use. Aqualisa® smart showers deliver everything you need for a personalised showering experience. Safe for all the family, they ensure a precise temperature every time. Activated by voice, by the Aqualisa app or remote control, you can connect with your shower in the way that suits you.

And don't forget, they're eco-friendly, too.



SMARTVALVE™

REMOTE
CONTROL

SMART
CONTROLLER

“Alexa, turn on my shower”





WI-FI
CONNECTED



SMART
SPEAKER
CONTROL

SMART SHOWERS PUT YOU IN CONTROL

Choose to control your smart shower in multiple ways, using the dedicated Aqualisa® app, a remote control, one-touch buttons or even with your voice.



Make it personal

Select from pre-set profiles for temperature, duration and flow. Or with the Quartz Touch™ model, create your own personalised settings for your perfect shower every time.



Voice activation

Connecting seamlessly with your Wi-Fi and smart home system, control your Aqualisa® smart shower using your voice, with the help of Hey Google or Amazon Alexa.



Easy and flexible installation

The intelligent Aqualisa® SmartValve™ can be fitted up to 10 metres away from your shower. Whether located under the bath, in the airing cupboard or up in the loft, it is easy to install, connect and set up.



Thermostatic precision

Our clever SmartValve™ checks and regulates the temperature of the water 10 times every second, so you can relax knowing your shower will be at your desired temperature each time.



Saves water and money

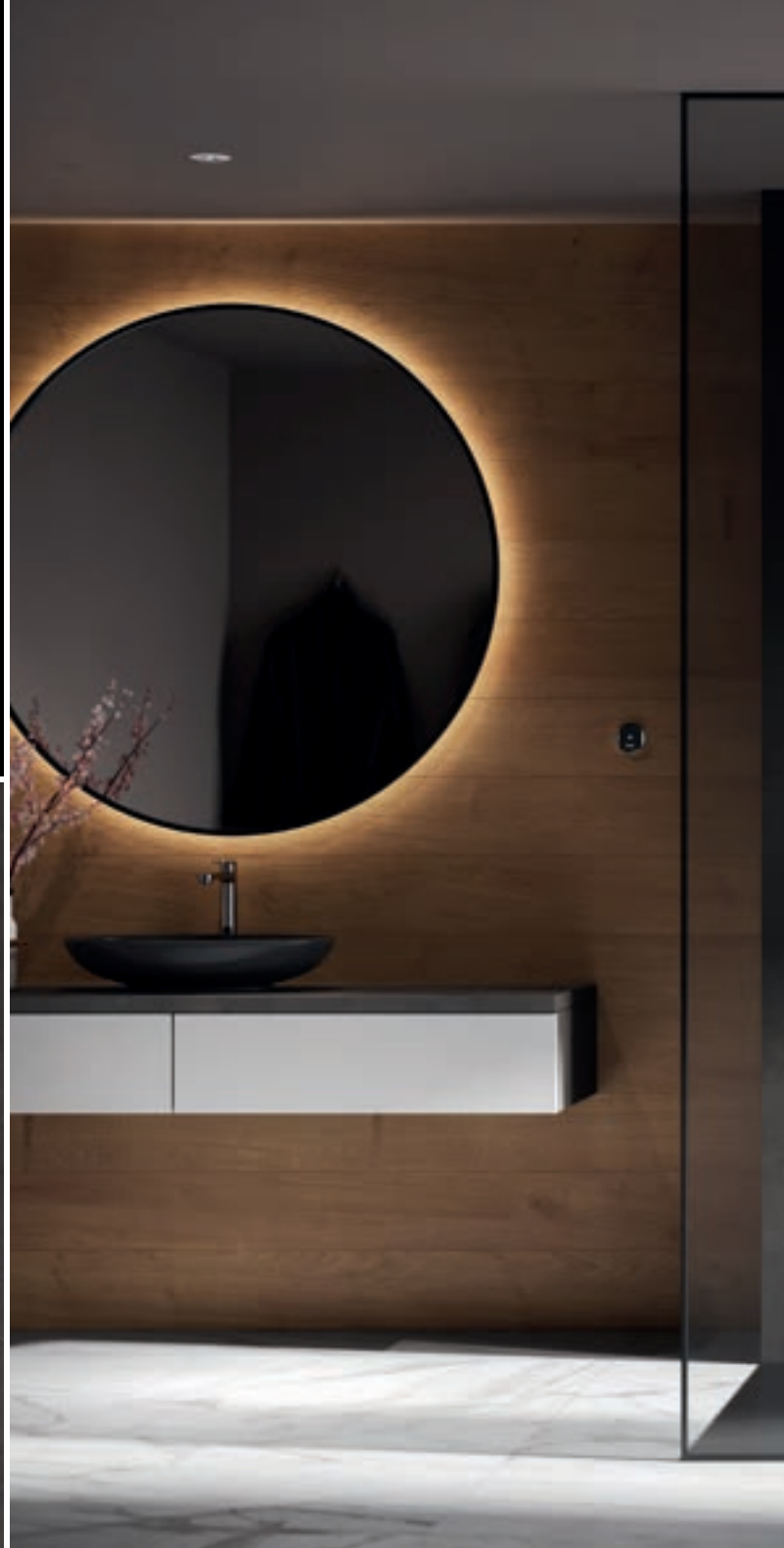
With the Aqualisa® app, you can monitor the water you and your family uses each day, allowing you to help the environment and save money too.



Works with any water system

Compatible with all standard UK water systems, the gravity option comes with an integrated shower pump.

See the smart shower collection on pages 10-27



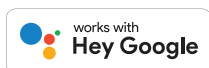
QUARTZ TOUCH™

Smart showers

Our smartest shower yet. Intuitive and full of clever features, choose Quartz Touch™ to meet your individual needs. Build a profile for each family member, and step into a shower that's always at the right temperature and flow. Track the water you use, and be a little kinder to the planet.



“Alexa, turn on my shower”



More information about smart showers on page 10

QUARTZ TOUCH™

Smart showers

- Fully personalised showering experience, including water temperature, duration and flow
- Control using voice activation, Aqualisa® app or wireless remote
- Simple and intuitive touch screen LCD display
- Auto 'wake-up' feature for added convenience
- Eco-friendly mode to help save water
- Monitors your water usage and estimates costs



Full range and more details on page 62







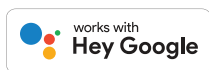
QUARTZ CLASSIC™

Smart showers

With modern classic styling and intelligent controls, this shower connects seamlessly to your smart home system. It's packed with options for a personalised, environmentally-friendly shower experience you can enjoy every day. With a clear LED display to indicate that the shower is ready, use the Aqualisa® app, remote or your voice to easily control every feature.



“Alexa, turn on my shower”



More information about smart showers on page 10

Full range and more details on page 66





QUARTZ CLASSIC™

Smart showers

- Modern classic styling to complement all interiors
- Clear, intuitive LED display shows the chosen temperature has been reached
- Simple activation using the Aqualisa® app, voice or remote control
- Eco-friendly mode to help save water
- Monitors your water usage and estimates costs



Full range and more details on page 66



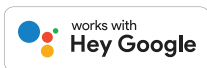
QUARTZ BLUE™

Smart showers

The perfect introduction to smart showering. Despite its minimalist design, the Quartz Blue™ delivers a host of high-tech features. Activate by one-touch button, using the Aqualisa® app, or simply using your voice. A clear LED display will let you know when your temperature and flow have been reached.



“Alexa, turn on my shower”



More information about smart showers on page 10





QUARTZ BLUE™

Smart showers

- Minimalist design and simple controls
- Clear LED display shows the chosen temperature has been reached
- Simple activation using the Aqualisa® app, voice or one-touch control
- Eco-friendly mode to help save water
- Monitors your water usage and estimates costs



ALL
SYSTEMS



VOICE
CONTROL



WIFI



USAGE
DASHBOARD



5
YEAR
GUARANTEE

Full range and more details on page 72



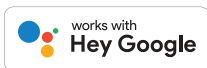
ISYSTEM™

Smart showers

A striking, modern design with premium metal controls combined with the latest in smart showering technology for all the family. Versatile and easy to install, this contemporary shower optimises space in the bathroom and adds a sophisticated touch. Control by voice, Aqualisa® app or optional remote for ultimate flexibility.



“Alexa, turn on my shower”



More information about smart showers on page 10

ISYSTEM™

Smart showers

- Minimalist, contemporary styling and easy to install
- Simple activation using the Aqualisa® app, voice or one-touch control
- Clear LED display shows the chosen temperature has been reached
- Eco-friendly mode to help save water
- Monitors your water usage and estimates costs



Full range and more details on page 76





MIXER SHOWERS

Suit your style

Stylish, powerful, trusted and reliable. Choose from multiple designs, colours and finishes in our extensive mixer shower collection. Whether cutting-edge, contemporary or classic in styling, all models feature our safe thermostatic technology for added peace of mind. Choose from a wide range of designs and features to suit every home.



AQUALISA

38



DREAM™

Square concealed thermostatic mixer

Sophisticated and built to last, the Dream™ square range guarantees safe operation for all the family. Each model features smooth-turn dials and an array of shower modes for a premium showering experience. Equipped with a concealed, one-piece solid brass valve for a smooth and discreet finish to complement any modern bathroom décor.



- Constructed from solid brass for durability and strength
- Thermostatic control ensures added safety
- Sleek concealed design with slim push-fit metal wall plate
- Classic chrome finish and modern square controls



Full range and more details on page 80

DREAM™

Round concealed thermostatic mixer

Dream™ round mixer shower delivers both safety and performance. A solid brass body ensures outstanding durability, while the classic round design will add a touch of classic luxury to any bathroom style. Equipped with a chrome-plated PinchGrip™ handset holder for ease of use and a slim push-fit wall plate for an elegant finish.

- Constructed from solid brass for durability and strength
- Thermostatic control ensures added safety
- Sleek concealed design with slim push-fit metal wall plate
- Stunning chrome finish and classic round controls
- Multi-function handset includes eco-mode to help save water



Full range and more details on page 82







AQUATIQUE™

Heritage style mixer shower

This luxury heritage-style mixer shower exudes sophisticated elegance. Its traditional design combined with solid brass construction make it a stunning addition to any classic bathroom or shower space. Select from exposed or concealed options and either chrome or gold finishes for an individual look and feel. Features Aqualisa's unique bi-metallic coil for thermostatic precision and reliable performance.



- Solid brass shower valve for durability
- Thermostatic control ensures added safety and precision
- Automatic cut-off for extra reassurance
- Choice of chrome or gold finish



ALL
SYSTEMS



BRASS
BODY



3
YEAR
GUARANTEE

Full range and more details on page 84

MIDAS™ 220

Bar valve mixer showers – chrome

An iconic bathroom classic, this chrome-finish shower adds a timeless feel with a modern twist. Made from solid brass for longevity and reliability, the safe-touch valve ensures a safer showering experience for all. Thermostatic technology adds extra peace of mind.

- Iconic and trusted design
- High-quality brass construction
- Safe-touch technology ensures added safety
- Precise thermostatic temperature control



ALL
SYSTEMS



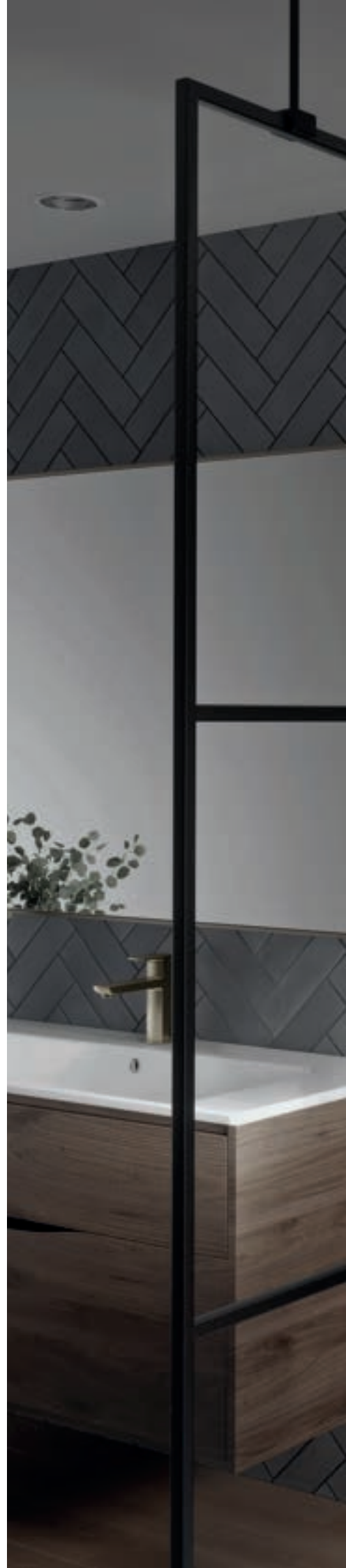
HP/
COMBI
SYSTEMS



5
YEAR
GUARANTEE

*Shower column and BSM models require HP water systems

Full range and more details on page 86









MIDAS™ 220

Bar valve mixer showers – matt black

Making a bold, contemporary statement, the Midas™ 220 in a matt black finish adds depth and definition for a truly modern bathroom experience. Iconic Midas™ styling is complemented by safe-touch technology and full flow control. Built from solid brass, with thermostatic precision.

- Iconic, trusted design now available in matt black
- Constructed from solid brass
- Safe-touch technology
- Precise thermostatic temperature control
- Five spray patterns for a personalised shower experience



ALL
SYSTEMS



HP/
COMBI
SYSTEMS



5
YEAR
GUARANTEE

*Shower column and BSM models require HP water systems

Full range and more details on page 88



MIDAS™ 220

Bar valve mixer showers – matt white

Breathe light into your bathroom colour scheme with the Midas 220™ in matt white finish. Bright and crisp in design, it is ideal for pairing with soft pastels and textures, or adding a contrast to stronger colourways. Beautifully crafted from solid brass, with safe-touch technology and precise thermostatic control.



- Iconic, trusted design now available in matt white
- Constructed from solid brass
- Safe-touch technology
- Precise thermostatic temperature control



*Shower column and BSM models require HP water systems

Full range and more details on page 90



MIDAS™ 110

Bar valve mixer showers - chrome

Created with a slimline form factor and safe-touch technology, the Midas 110™ is the perfect choice for any family bathroom or shower room. All-metal controls ensure long life and optimum reliability. Further safety is assured thanks to the integrated temperature override button. A smart chrome finish makes it ideal for both contemporary and classic interiors.

- Slimline bar valve is the perfect match for any family bathroom
- Precise thermostatic control, safe-touch and temperature override ensure ultimate safety
- All-metal construction for dependability and reliability



*Shower column and BSM models require HP water systems

Full range and more details on page 92

AQUASTREAM™

Power shower

Discover truly powerful performance with Aquastream™. Designed specifically for gravity systems, this ergonomic thermostatic power shower, with its own integrated booster pump, delivers an exceptional showering experience. Choose from two flow rates: 10 litres or 18 litres per minute.

- Two flow settings for an invigorating shower experience
- Separate flow and temperature controls
- Eco spray setting helps to save water
- Three colour options: white, white/chrome and satin chrome
- Integrated booster pump for added power



Full range and more details on page 96



AQUALISA
AQUASTREAM

ELECTRIC SHOWERS

Ready when you are

Designed for environmentally-friendly, energy-efficient showering, the Aqualisa® electric shower line-up delivers a powerful experience with no demand on your hot water supply. Simply switch on for an instantly exhilarating shower with no wasted energy. So it's kinder to the planet – and to your pocket.

37



eVOLVE™

Electric showers

Streamlined and stylish, eVOLVE™ delivers the latest in electric shower innovation. Thanks to three power options, all A-rated for energy efficiency, simply choose the model to suit your family's needs. Each shower gives you full control over both temperature and power. Flexible to fit with eight water and six electric entry points for effortless installation – as well as easy replacement of any existing brand of shower.

Full range and more details on page 106







eVOLVE™

Electric showers

Engineered for safety and durability, eVOLVE™ is equipped with an over-temperature protection system. A digital display clearly shows the temperature at all times, while the low pressure indicator will alert you should the water pressure fall. The clever phased shut-down technology minimises limescale build-up for long product life.

Full range and more details on page 106



- Slimline and stylish with three colour choices to complement every bathroom design
- Latest innovation in electric showering provides full temperature and power control
- Eight water and six electric entry points for flexible installation
- Over-temperature protection for maximum safety
- Convenient low pressure indicator
- Phased shut-down technology minimises limescale





LUMI™ ELECTRIC

Electric showers

This unique, beautifully-crafted shower makes a powerful, modern statement with its mirrored glass fascia and illuminated panel. Simply start and stop the shower with the sensory touch control, and immerse yourself under the luxurious Harmony™ shower head.

- Sleek and stylish design with a mirrored glass fascia and illuminated panel
- Sensory touch control for effortless operation
- Harmony™ shower head delivers a luxurious, refreshing experience



Full range and more details on page 108

BATHROOM TAPS

Complete the look

Whether an entirely new installation or a carefully-constructed renovation project, complete your bathroom or ensuite with our vast collection of premium taps. Angled or curved, traditional or state-of-the-art, ergonomic or ageless, our taps add a hint of class and refinement to any bathroom design.





DOWNTOWN™

Chrome taps

A blend of flawless chrome finish with a subtle, soft square design, Downtown™ taps are an elegant, minimalist choice for a refined bathroom space. Crafted from brass with a zinc handle finish, these stunning taps pair perfectly with our Midas™ 220 shower in chrome.

- Constructed from brass with zinc handles for durability
- Beautiful soft square design
- Finished in classic chrome



Full range and more details on page 110



DOWNTOWN™

Matt black taps

Add some striking contrast to your bathroom with our bold matt black Downtown™ taps. Featuring a timeless, soft square design, these premium taps will make an impact and deliver a strong, sophisticated look your visitors won't be able to ignore. These eye-catching taps pair perfectly with our Midas™ 220 shower in matt black.

- Constructed from brass with zinc handles for durability
- Beautiful soft square design
- Contemporary matt black finish



Full range and more details on page 110



UPTOWN™

Chrome taps

Elegant and timeless, the Uptown™ collection pairs seamlessly with a wide array of interior styles. Boasting a fully brass body with zinc handles, these graceful taps operate smoothly in the hand thanks to the sleek pin lever controls. Finished in classic chrome.

- Simple, elegant and ageless in design
- Sleek pin lever controls for straightforward operation
- Constructed from brass with zinc handles for optimum durability



Full range and more details on page 112



CENTRAL™

Chrome taps

Delicate yet durable, the Central™ collection features a quintessential mirror chrome finish, adding a touch of sophisticated charm to any bathroom décor. The curved, ergonomic design makes them effortless to use, while the aerated operation delivers a softer, non-splash flow. Built from brass with zinc handles for ultimate quality.

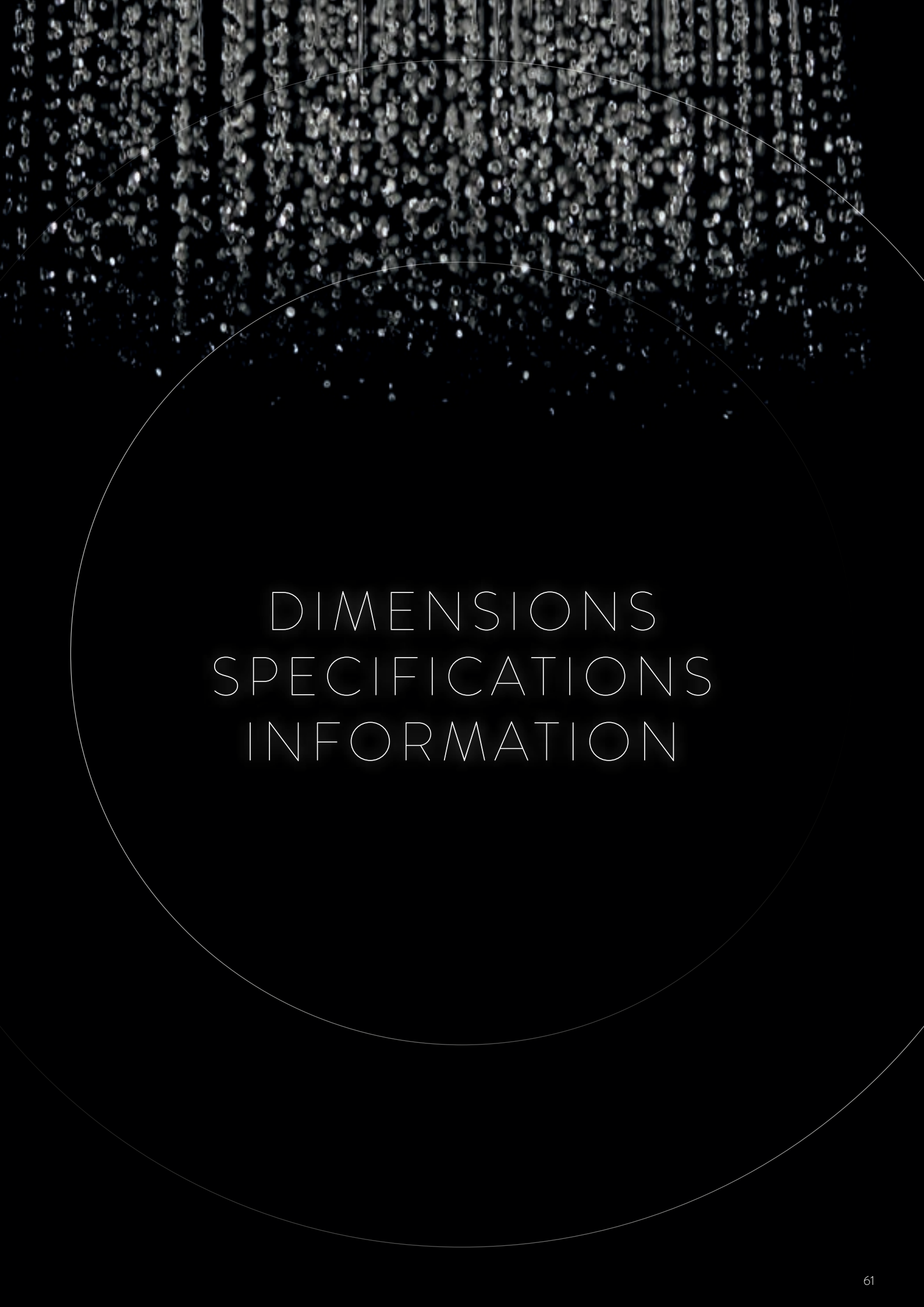
- Curved, ergonomic form factor
- Premium brass body with zinc handles
- Aerated design for a soft, non-splash flow



Full range and more details on page 114



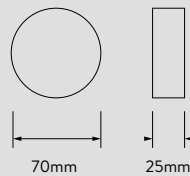
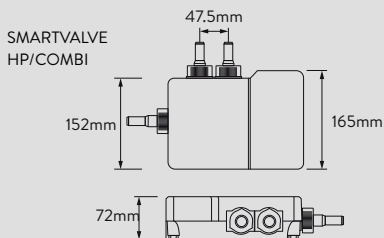
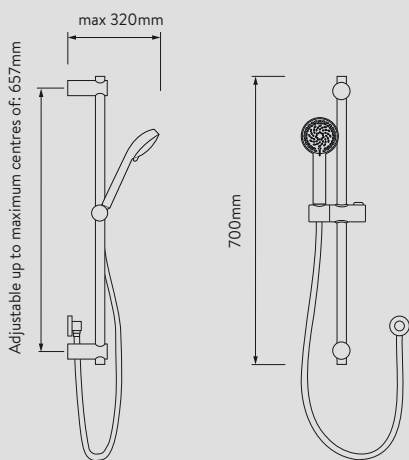
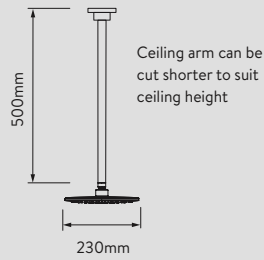
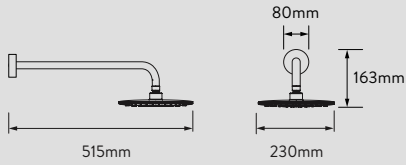
Aqualisa® Thermacoil™, the groundbreaking thermostat



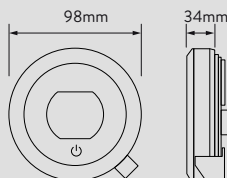
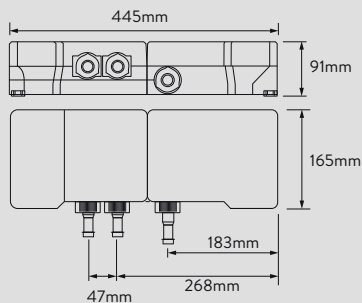
DIMENSIONS
SPECIFICATIONS
INFORMATION

QUARTZ TOUCH™ CONCEALED

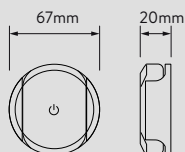
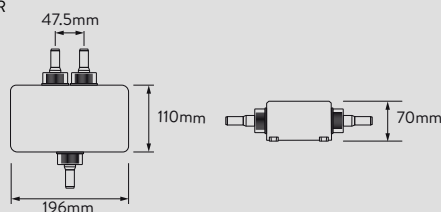
DIMENSIONS



SMARTVALVE
GRAVITY PUMPED



DIVERTER



FEATURES

- 105mm, adjustable 4 spray pattern Harmony™ handset
- Optional 230mm fixed head or bath filler to customise your experience
- Connectivity (Wi-Fi, Aqualisa® app, Hey Google, Amazon Alexa)
- Auto wake-up
- Online water management dashboard
- Flow control**
- Pre-set shower profiles
- Timer function in Aqualisa® app
- Bath filler divert option
- Temperature ready indicator
- Aqualisa® SmartValve™ eco-setting**
- Wireless remote option
- Full LED screen
- Thermostatic control
- Easy-clean nozzles
- Dual outlet divert options
- Suitable for all water systems



QUARTZ TOUCH™ CONCEALED



Quartz Touch™ concealed with adjustable handset

HP/Combi
QZST.A1.BV.20
Gravity Pumped*
QZST.A2.BV.20



Quartz Touch™ concealed with wall fixed head

HP/Combi
QZST.A1.BR.20
Gravity Pumped*
QZST.A2.BR.20



Quartz Touch™ concealed dual outlet with adjustable handset and bath overflow filler

HP/Combi
QZST.A1.BV.DVBTX.20
Gravity Pumped*
QZST.A2.BV.DVBTX.20



Quartz Touch™ concealed dual outlet with adjustable handset and ceiling fixed head

HP/Combi
QZST.A1.BV.DVFC.20
Gravity Pumped*
QZST.A2.BV.DVFC.20



Quartz Touch™ concealed dual outlet with adjustable handset and wall fixed head

HP/Combi
QZST.A1.BV.DVFW.20
Gravity Pumped*
QZST.A2.BV.DVFW.20



Quartz Touch™ wireless remote

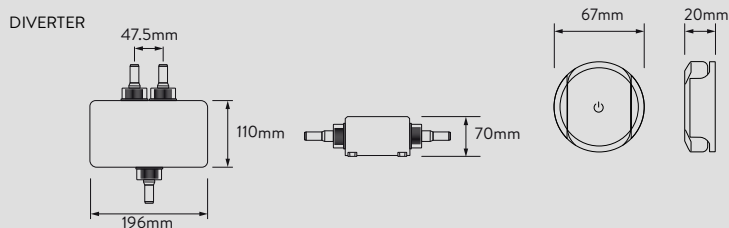
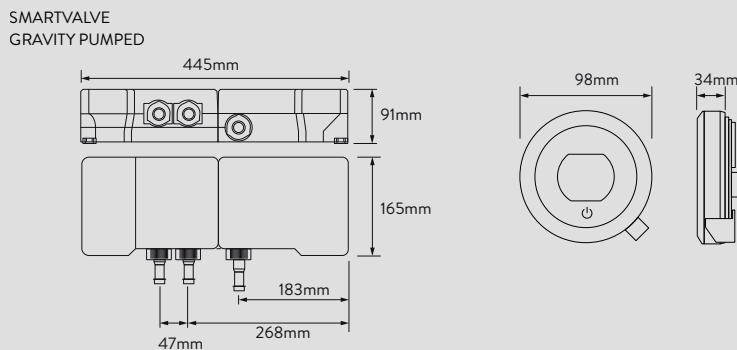
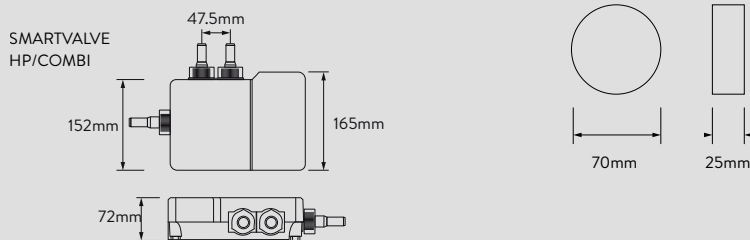
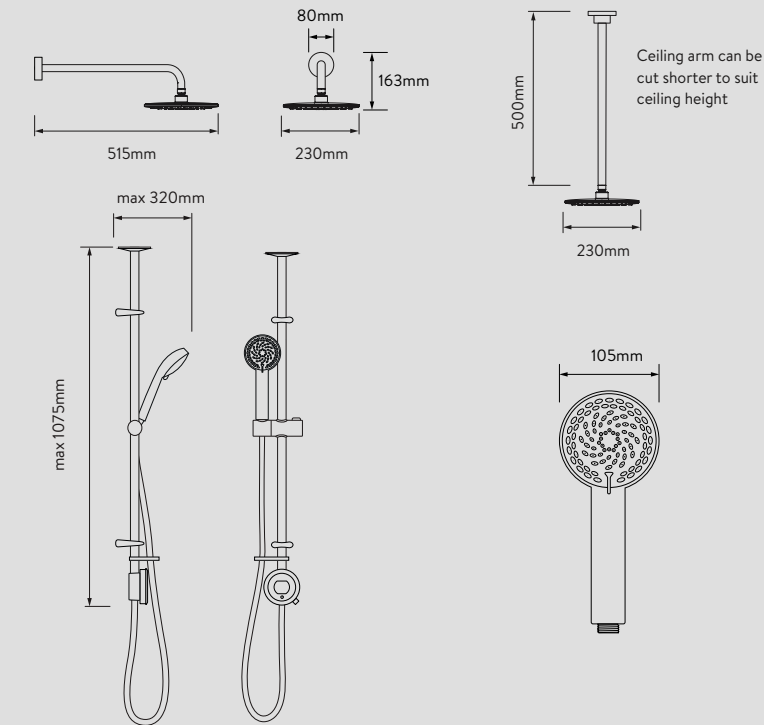
WR.BL.CP.20

*Gravity Pumped variant comes with integral pump.

**Feature may not operate on combination boiler systems.

QUARTZ TOUCH™ EXPOSED

DIMENSIONS



FEATURES

- 105mm adjustable, 4 spray pattern Harmony™ handset
- Optional 230mm fixed head or bath filler to customise your experience
- Connectivity (Wi-Fi, Aqualisa® app, Hey Google, Amazon Alexa)
- Auto wake-up
- Online water management dashboard
- Flow control**
- Pre-set shower profiles
- Timer function in Aqualisa® app
- Bath filler divert option
- Temperature ready indicator
- Aqualisa® SmartValve™ eco-setting**
- Wireless remote option
- Full LED screen
- Thermostatic control
- Easy-clean nozzles
- Dual outlet divert options
- Suitable for all water systems
- Easily upgrade an exposed mixer shower with the Quartz™ Smart Retrofit Shower



QUARTZ TOUCH™ EXPOSED



Quartz Touch™ exposed with adjustable handset

HP/Combi
QZST.A1.EV.20
Gravity Pumped*
QZST.A2.EV.20



Quartz™ Smart Retrofit Shower with adjustable handset

HP/Combi
SST.A1.EV.21***
Gravity Pumped*
SST.A2.EV.21***



Quartz Touch™ dual outlet exposed with adjustable handset and bath overflow filler

HP/Combi
QZST.A1.EV.DVBTX.20
Gravity Pumped*
QZST.A2.EV.DVBTX.20



Quartz Touch™ exposed dual outlet with adjustable handset and ceiling fixed head

HP/Combi
QZST.A1.EV.DVFC.20
Gravity Pumped*
QZST.A2.EV.DVFC.20



Quartz Touch™ Retrofit Shower with adjustable handset and ceiling fixed head

HP/Combi
SST.A1.EV.DVFC.21***
Gravity Pumped*
SST.A2.EV.DVFC.21***



Quartz Touch™ wireless remote
WR.BL.CP.20

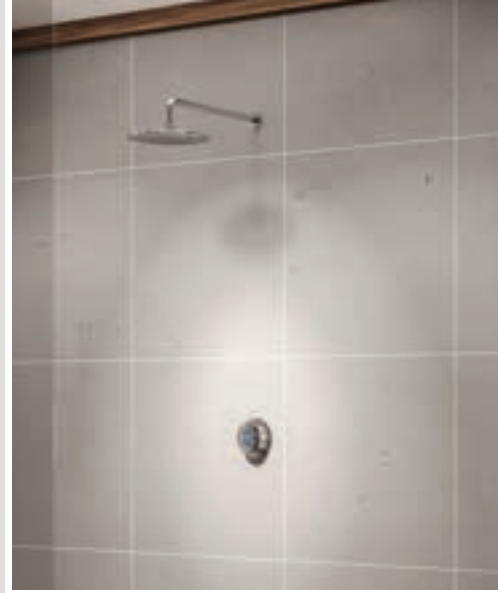
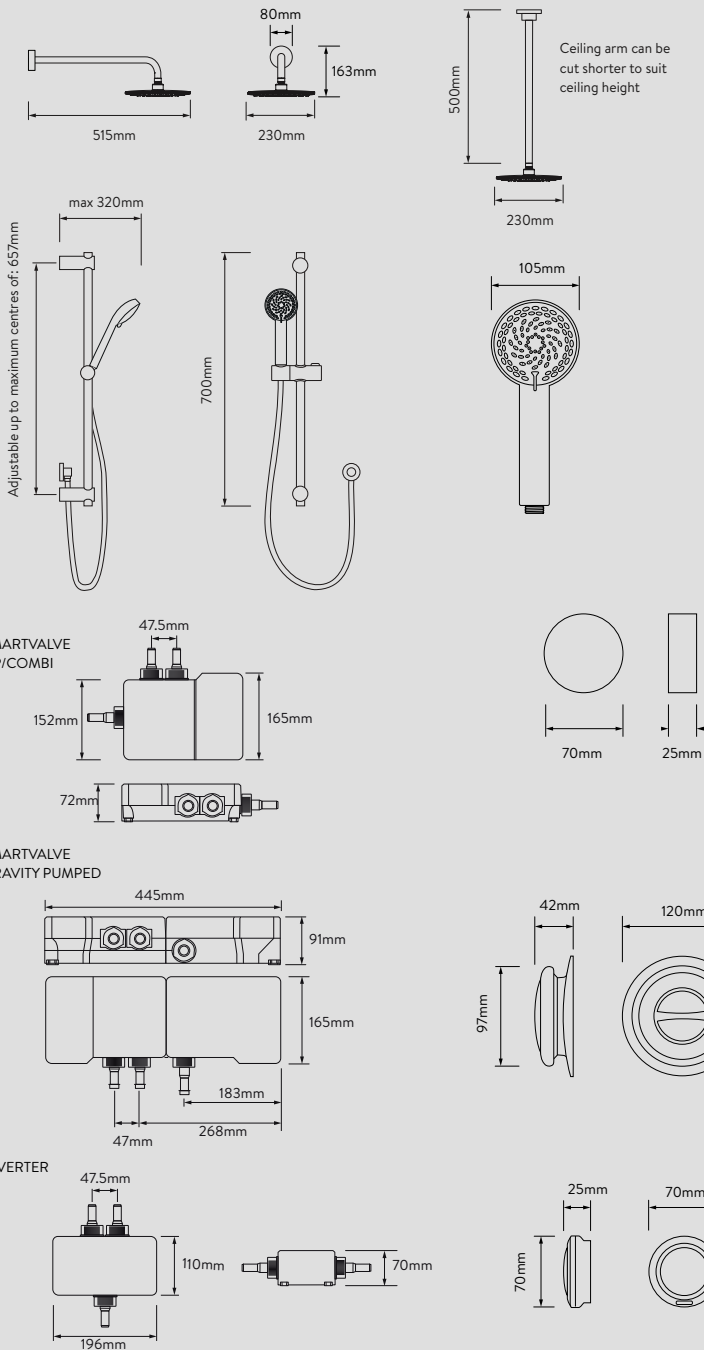
*Gravity Pumped variant comes with integral pump.

**Feature may not operate on combination boiler systems.

***For more information on Quartz™ Smart Retrofit Showers see page 128.

QUARTZ CLASSIC™ CONCEALED

DIMENSIONS



FEATURES

- 105mm adjustable, 4 spray pattern Harmony™ handset
- Optional 230mm fixed head or bath filler to customise your experience
- Connectivity (Wi-Fi, Aqualisa® app, Hey Google, Amazon Alexa)
- Online water management dashboard
- Flow control**
- Timer function in Aqualisa® app
- Bath filler divert option
- Single bath filler option
- Temperature ready indicator
- Aqualisa® SmartValve™ eco-setting**
- Hard wired remote option
- Thermostatic control
- Easy-clean nozzles
- Dual outlet divert options
- Suitable for all water systems



QUARTZ CLASSIC™ CONCEALED



Quartz Classic™ concealed with adjustable handset

HP/Combi
QZD.A1.BV.20
Gravity Pumped*
QZD.A2.BV.20



Quartz Classic™ concealed with wall fixed head

HP/Combi
QZD.A1.BR.20
Gravity Pumped*
QZD.A2.BR.20



Quartz Classic™ concealed with adjustable handset and bath overflow filler

HP/Combi
QZD.A1.BV.DVBTX.20
Gravity Pumped*
QZD.A2.BV.DVBTX.20



Quartz Classic™ concealed dual outlet with adjustable handset and wall fixed head

HP/Combi
QZD.A1.BV.DVFW.20
Gravity Pumped*
QZD.A2.BV.DVFW.20



Quartz Classic™ dual outlet concealed with adjustable handset and ceiling fixed head

HP/Combi
QZD.A1.BV.DVFC.20
Gravity Pumped*
QZD.A2.BV.DVFC.20



Quartz Classic™ wired remote control

Single Outlet
QZD.B3.DS.20



Quartz Classic™ wired remote control

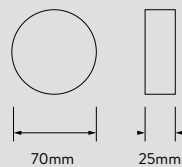
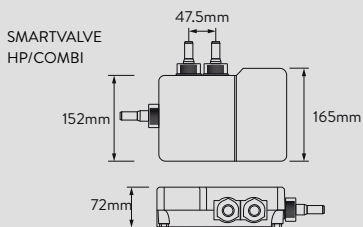
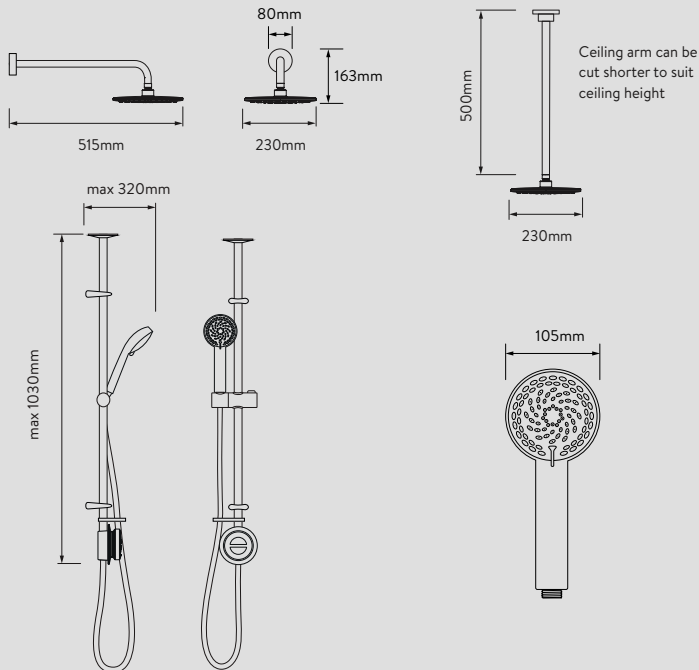
Dual Outlet
QZD.B3.DVDS.20

*Gravity Pumped variant comes with integral pump.

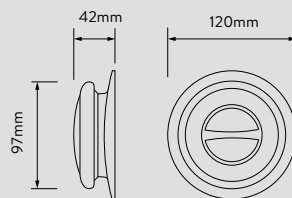
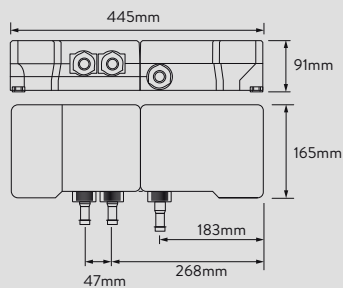
**Feature may not operate on combination boiler systems.

QUARTZ CLASSIC™ EXPOSED

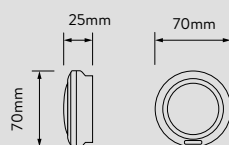
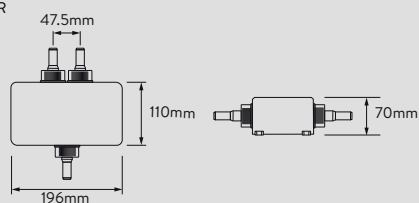
DIMENSIONS



SMARTVALVE
GRAVITY PUMPED



DIVERTER



FEATURES

- 105mm adjustable, 4 spray pattern Harmony™ handset
- Optional 230mm fixed head or bath filler to customise your experience
- Connectivity (Wi-Fi, Aqualisa® app, Hey Google, Amazon Alexa)
- Online water management dashboard
- Flow control**
- Timer function in Aqualisa® app
- Bath filler divert option
- Single bath filler option
- Temperature ready indicator
- Aqualisa® SmartValve™ eco-setting**
- Hard wired remote option
- Thermostatic control
- Easy-clean nozzles
- Dual outlet divert options
- Suitable for all water systems
- Easily upgrade an exposed mixer shower with the Quartz™ Smart Retrofit Shower



QUARTZ CLASSIC™ EXPOSED



**Quartz Classic™
exposed with
adjustable handset**

HP/Combi
QZD.A1.EV.20
Gravity Pumped*
QZD.A2.EV.20



**Quartz Classic™
Retrofit Shower with
adjustable handset**

HP/Combi
SSC.A1.EV.21***
Gravity Pumped
SSC.A2.EV.21***



**Quartz Classic™ exposed
dual outlet with adjustable
handset and bath filler**

HP/Combi
QZD.A1.EV.DVBTX.20
Gravity Pumped*
QZD.A2.EV.DVBTX.20



**Quartz Classic™ dual outlet
exposed with adjustable
head and ceiling fixed head**

HP/Combi
QZD.A1.EV.DVFC.20
Gravity Pumped
QZD.A2.EV.DVFC.20



**Quartz Classic™
Retrofit Shower with
adjustable handset and
ceiling fixed head**

HP/Combi
SSC.A1.EV.DVFC.21***
Gravity Pumped
SSC.A2.EV.DVFC.21***



**Quartz™ exposed
rail extension (550mm)**

For higher than normal ceilings
when fitting Quartz™ smart
exposed systems. 910920
Including rail 550mm, push-fit
pipe joiner and exposed rail sleeve.
Copper pipe not included.



**Quartz Classic™ wired
remote control**

Single Outlet
QZD.B3.DS.20



**Quartz Classic™ wired
remote control**

Dual Outlet
QZD.B3.DVDS.20

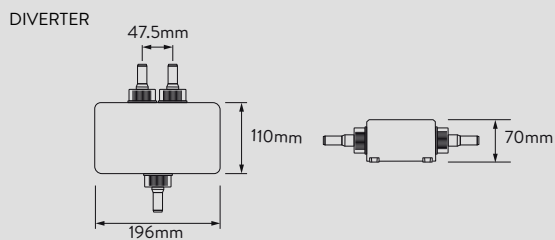
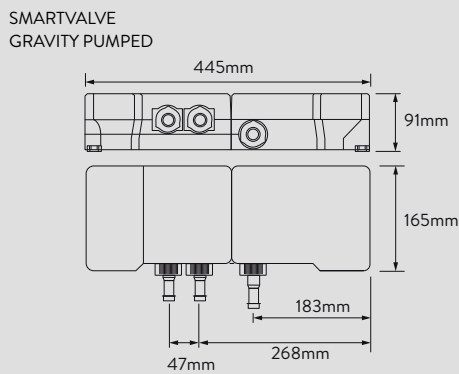
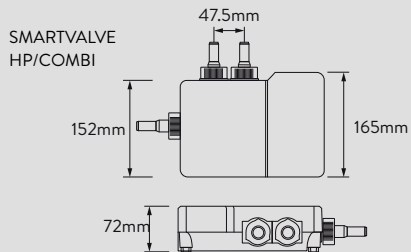
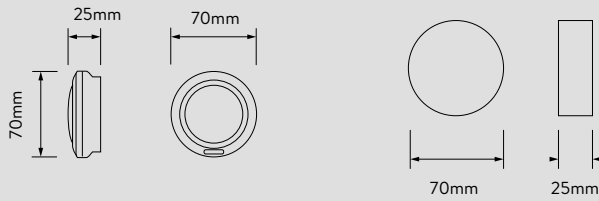
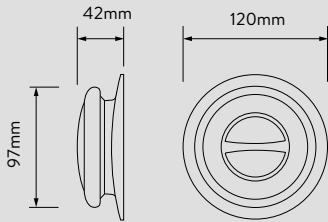
*Gravity Pumped variant comes with integral pump.

**Feature may not operate on combination boiler systems.

***For more information on Quartz™ Smart Retrofit Showers see page 128.

QUARTZ CLASSIC™ BATH FILLER

DIMENSIONS



FEATURES

- Connectivity (Wi-Fi, Aqualisa® app, Hey Google, Amazon Alexa)
- Online water management dashboard
- Timer function in Aqualisa® app
- Single bath filler option
- Temperature ready indicator
- Aqualisa® SmartValve™ eco-setting**
- Hard wired remote option
- Thermostatic control
- Suitable for all water systems



QUARTZ CLASSIC™ BATH FILLER



Quartz Classic™ bath overflow filler
HP/Combi
QZD.A1.BTX.20
Gravity Pumped*
QZD.A2.BTX.20



**Quartz Classic™ wired
remote control**
Single Outlet
QZD.B3.DS.20

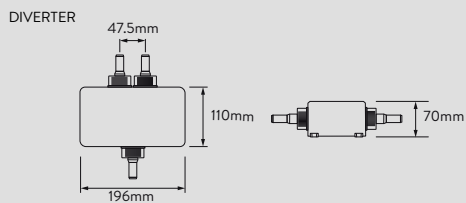
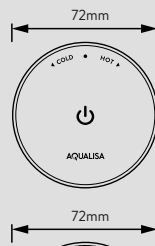
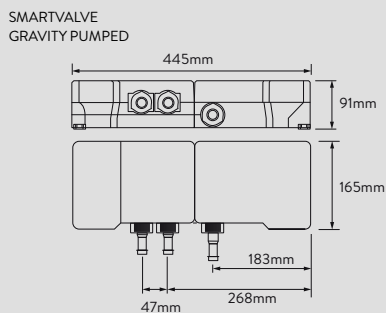
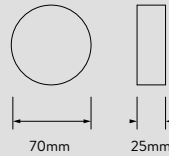
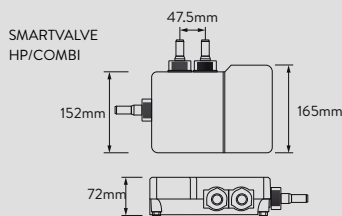
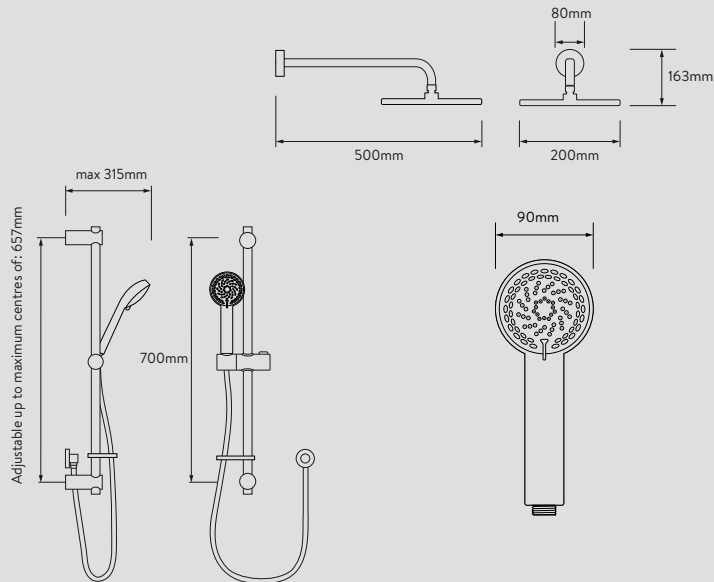


**Quartz Classic™ wired
remote control**
Dual Outlet
QZD.B3.DVDS.20

*Gravity Pumped variant comes with integral pump.
**Feature may not operate on combination boiler systems.

QUARTZ BLUE™ CONCEALED

DIMENSIONS



FEATURES

- 90mm adjustable, 4 spray pattern Harmony™ handset
- Optional 200mm fixed head or bath filler to customise your experience
- Connectivity (Wi-Fi, Aqualisa® app, Hey Google, Amazon Alexa)
- Online water management dashboard
- Timer function in Aqualisa® app
- Bath filler divert option
- Temperature ready indicator
- Aqualisa® SmartValve™ eco-setting**
- Thermostatic control
- Easy-clean nozzles
- Dual outlet divert options
- Suitable for all water systems



QUARTZ BLUE™ CONCEALED



**Quartz Blue™ concealed
with adjustable handset**

HP/Combi
QZSB.A1.BV.20

Gravity Pumped*
QZSB.A2.BV.20



**Quartz Blue™ concealed
with wall fixed head**

HP/Combi
QZSB.A1.BR.20

Gravity Pumped*
QZSB.A2.BR.20



**Quartz Blue™ dual outlet concealed with
adjustable handset and bath overflow
filler**

HP/Combi
QZSB.A1.BV.DVBTX.20

Gravity Pumped*
QZSB.A2.BV.DVBTX.20



**Quartz Blue™ dual outlet
concealed with adjustable
handset and wall fixed head**

HP/Combi
QZSB.A1.BV.DVFW.20

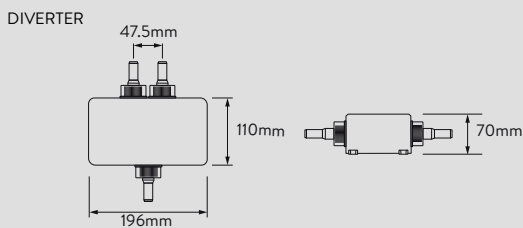
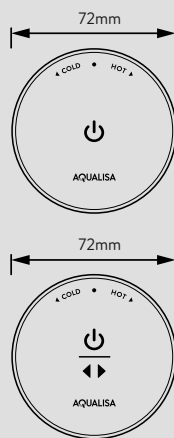
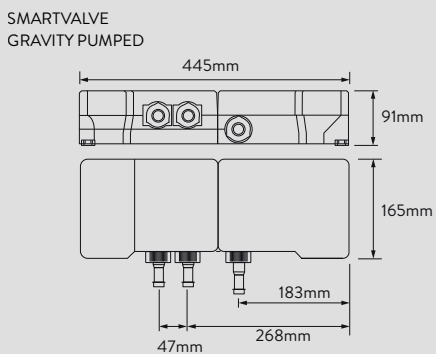
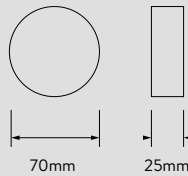
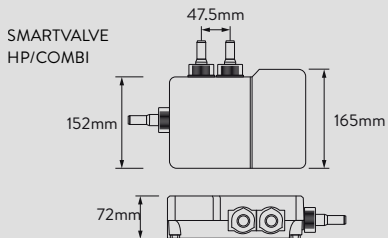
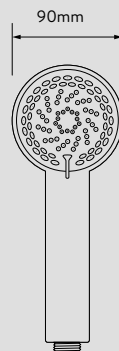
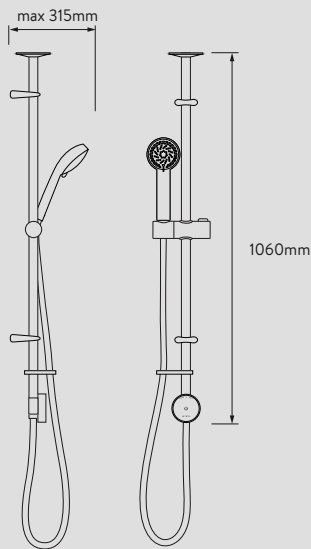
Gravity Pumped*
QZSB.A2.BV.DVFW.20

*Gravity Pumped variant comes with integral pump.

**Feature may not operate on combination boiler systems.

QUARTZ BLUE™ EXPOSED

DIMENSIONS



FEATURES

- 90mm adjustable, 4 spray pattern Harmony™ handset
- Optional 200mm fixed head or bath filler to customise your experience
- Connectivity (Wi-Fi, Aqualisa® app, Hey Google, Amazon Alexa)
- Online water management dashboard
- Timer function in Aqualisa® app
- Bath filler divert option
- Temperature ready indicator
- Aqualisa® SmartValve™ eco-setting**
- Thermostatic control
- Easy-clean nozzles
- Dual outlet divert options
- Suitable for all water systems
- Easily upgrade an exposed mixer shower with the Quartz™ Smart Retrofit Shower. See page 128
- Optional exposed rail extension and corner fixing brackets available



QUARTZ BLUE™ EXPOSED



Quartz Blue™ exposed with adjustable handset

HP/Combi
QZSB.A1.EV.20

Gravity Pumped*
QZSB.A2.EV.20



Quartz Blue™ Retrofit Shower with adjustable handset

HP/Combi
SSB.A1.EV.21***

Gravity Pumped*
SSB.A2.EV.21***



Quartz™ exposed rail extension (550mm)

For higher than normal ceilings
when fitting Quartz™ smart
exposed systems. 910920
Including rail 550mm, push-fit
pipe joiner and exposed rail sleeve.
Copper pipe not included.

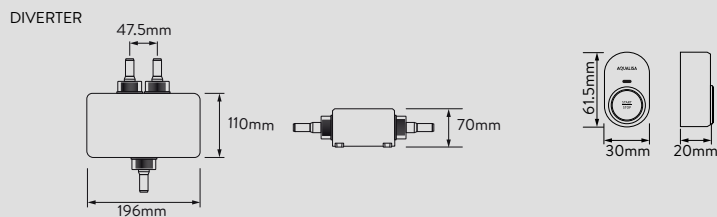
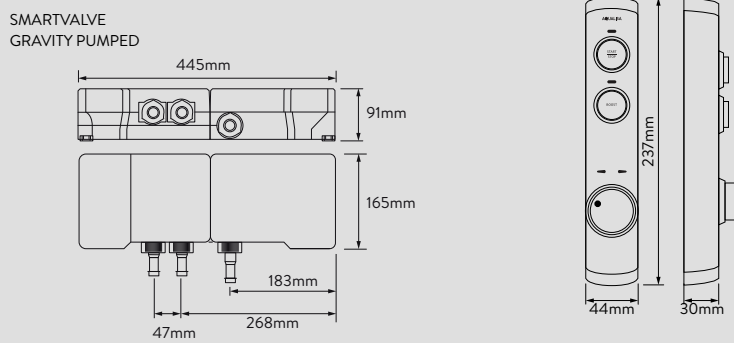
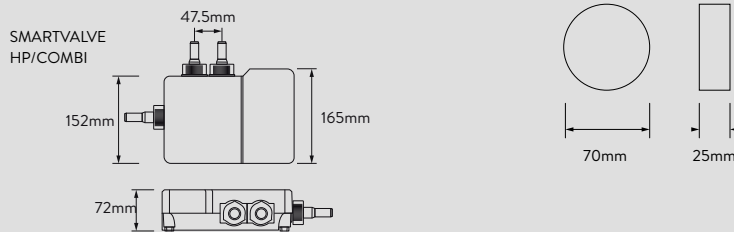
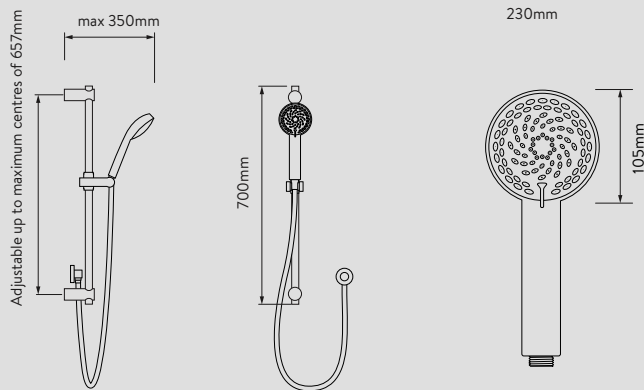
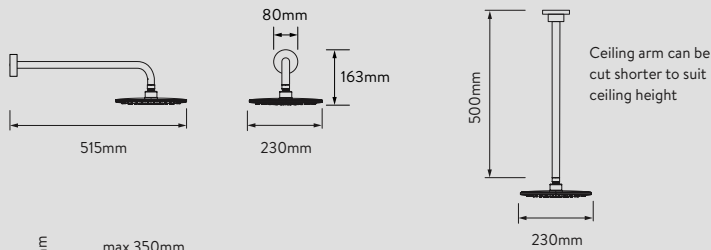
*Gravity Pumped variant comes with integral pump.

**Feature may not operate on combination boiler systems.

***For more information on Quartz™ Smart Retrofit Showers see page 128.

ISYSTEM™ CONCEALED

DIMENSIONS



FEATURES

- 105mm adjustable, 4 spray pattern Harmony™ handset
- Optional 230mm fixed head to customise your experience
- PinchGrip™ slider
- Connectivity (Wi-Fi, Aqualisa® app, Hey Google, Amazon Alexa)
- Online water management dashboard
- Timer function in Aqualisa® app
- Temperature ready indicator
- Aqualisa® SmartValve™ eco-setting**
- Thermostatic control
- Dual outlet divert options
- Suitable for all water systems



ISYSTEM™ CONCEALED



**iSystem™ Smart concealed
with adjustable handset**

HP/Combi
ISD.A1.BV.21

Gravity Pumped*
ISD.A2.BV.21



**iSystem™ Smart concealed
with wall fixed head**

HP/Combi
ISD.A1.BFW.21

Gravity Pumped*
ISD.A2.BFW.21



**iSystem™ Smart concealed
with ceiling fixed head**

HP/Combi
ISD.A1.BFC.21

Gravity Pumped*
ISD.A2.BFC.21



**iSystem™ Smart dual outlet
concealed with adjustable
handset and wall fixed head**

HP/Combi
ISD.A1.BV.DVFW.21

Gravity Pumped*
ISD.A2.BV.DVFW.21



**iSystem™ Smart dual outlet
concealed with adjustable
handset and ceiling fixed head**

HP/Combi
ISD.A1.BV.DVFC.21

Gravity Pumped*
ISD.A2.BV.DVFC.21



**iSystem™ Smart
remote control**

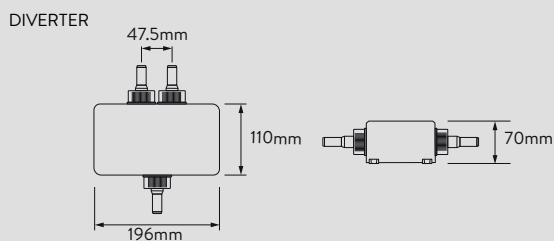
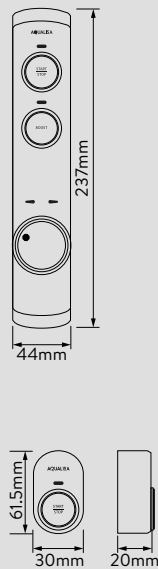
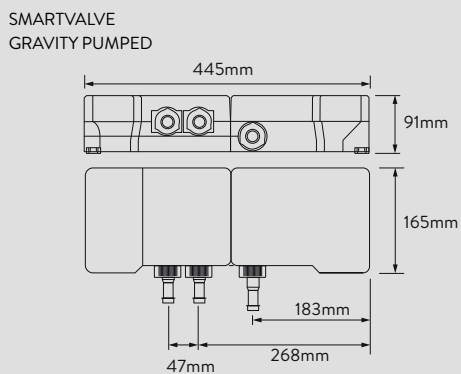
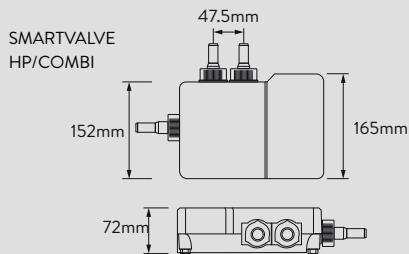
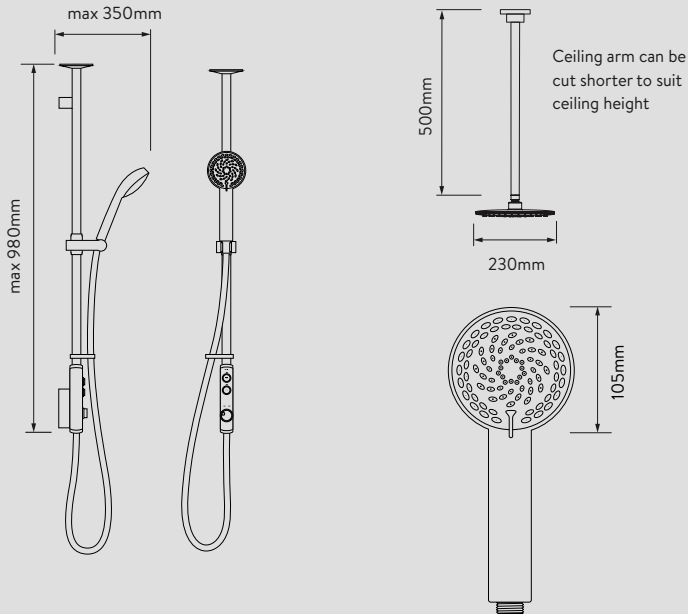
Single and divert wired
ISD.B3.DS.14

*Gravity Pumped variant comes with integral pump.

**Feature may not operate on combination boiler systems.

ISYSTEM™ EXPOSED

DIMENSIONS



FEATURES

- 105mm adjustable, 4 spray pattern Harmony™ handset
- Optional 230mm fixed head to customise your experience
- PinchGrip™ slider
- Connectivity (Wi-Fi, Aqualisa® app, Hey Google, Amazon Alexa)
- Online water management dashboard
- Timer function in Aqualisa® app
- Temperature ready indicator
- Aqualisa® SmartValve™ eco-setting**
- Thermostatic control
- Dual outlet divert options
- Suitable for all water systems
- Optional exposed rail extension and corner fixing brackets available



ISYSTEM™ EXPOSED



**iSystem™ Smart exposed
with adjustable handset**

HP/Combi
ISD.A1.EV.21

Gravity Pumped*
ISD.A2.EV.21



**iSystem™ Smart dual outlet
exposed with adjustable
handset and ceiling fixed head**

HP/Combi
ISD.A1.EV.DVFC.21

Gravity Pumped*
ISD.A2.EV.DVFC.21

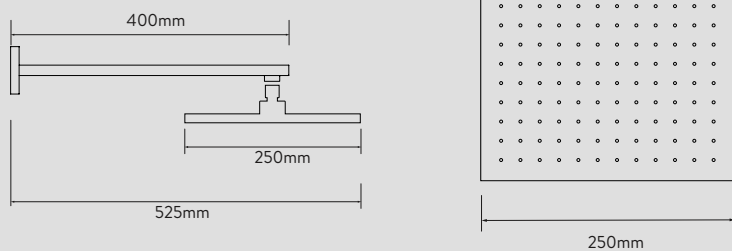
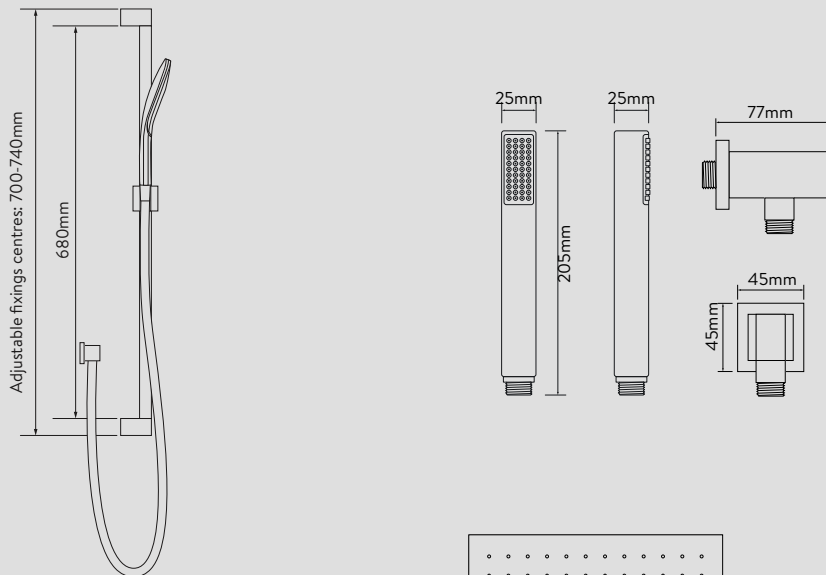
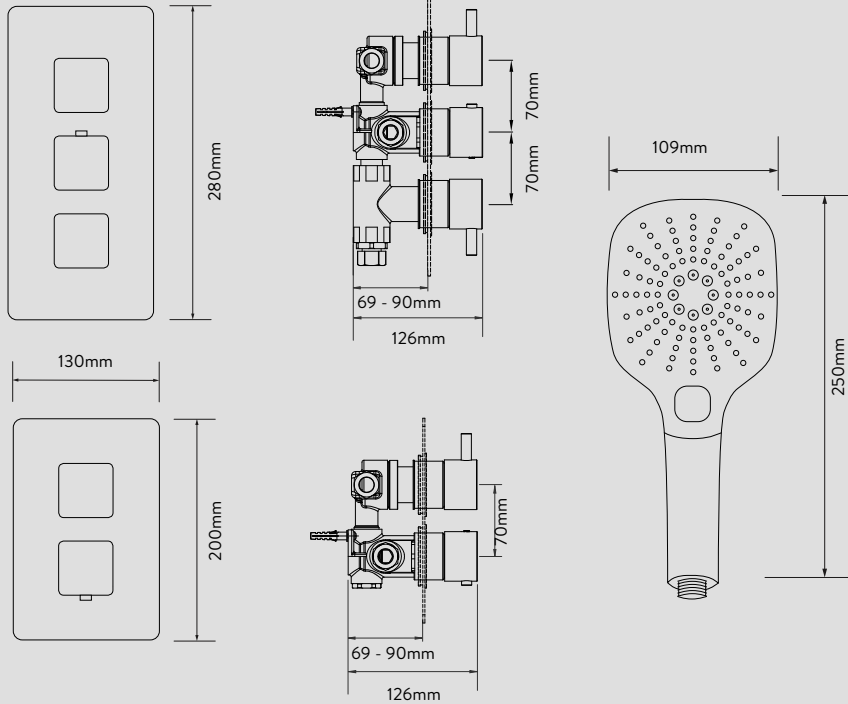


**iSystem™ Smart
remote control**

Single and divert wired
ISD.B3.DS.14

*Gravity Pumped variant comes with integral pump.
**Feature may not operate on combination boiler systems.

DREAM™ SQUARE DIMENSIONS



FEATURES

- 109mm multimode adjustable handset with soft, easy-clean nozzles
- 250mm fixed shower head
- Chrome plated quarter turn handset holder
- 1.5m smooth hose
- Thermostatic control for safe water temperature
- Metal controls
- Push fit metal wall plate, 2mm thickness
- Bath overflow filler option



DREAM™ SQUARE



Dream™ concealed mixer shower with adjustable handset
DRMDCV1.AD.SQR



Dream™ concealed mixer shower with wall fixed head
DRMDCV1.FW.SQR



Dream™ concealed mixer shower with adjustable handset and wall fixed head
DRMDCV2.ADFW.SQR



Dream™ concealed mixer shower with wall fixed head and shower wand
DRMDCV2.HSFW.SQR

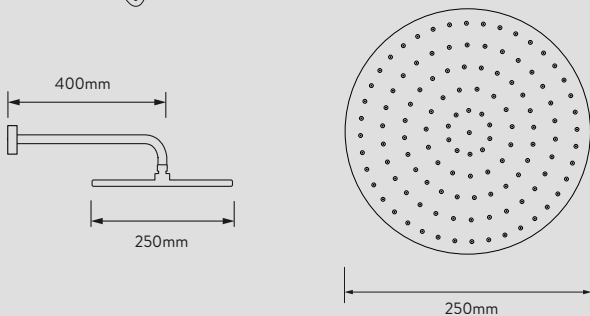
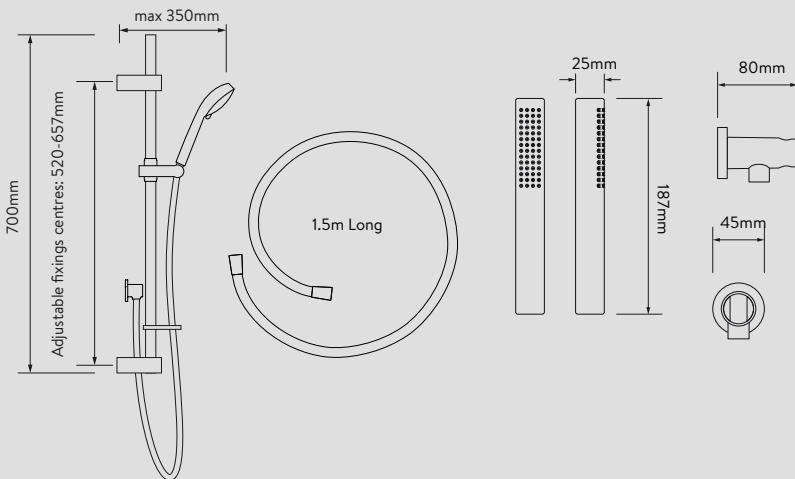
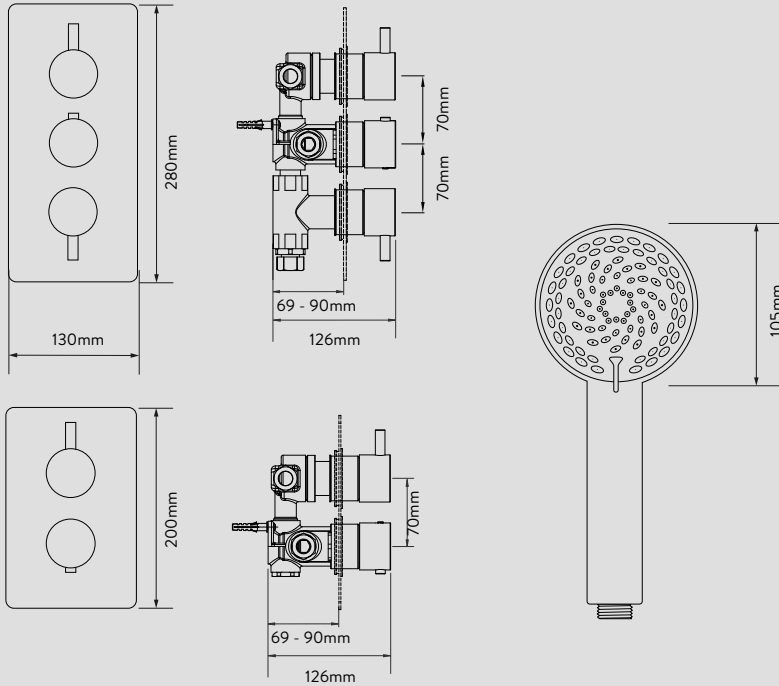


Dream™ concealed mixer shower with adjustable handset and bath overflow filler
DRMDCV2.ADBTX.SQR



Dream™ concealed mixer shower with adjustable handset, wall fixed head and bath overflow filler
DRMDCV3.ADFWBTX.SQR

DREAM™ ROUND DIMENSIONS



FEATURES

- 105mm Harmony™ adjustable handset with soft, easy-clean nozzles
- 250mm fixed shower head
- Chrome plated PinchGrip™ slider
- 1.5m smooth hose
- Thermostatic control for safe water temperature
- Metal controls
- Push fit metal wall plate, 2mm thickness
- Bath overflow filler option



DREAM™ ROUND



Dream™ concealed mixer shower with adjustable handset
DRMDCV1.AD.RND



Dream™ concealed mixer shower with wall fixed head
DRMDCV1.FW.RND



Dream™ concealed mixer shower with adjustable head and wall fixed head
DRMDCV2.ADFW.RND



Dream™ concealed mixer shower with wall fixed head and shower wand
DRMDCV2.HSFW.RND



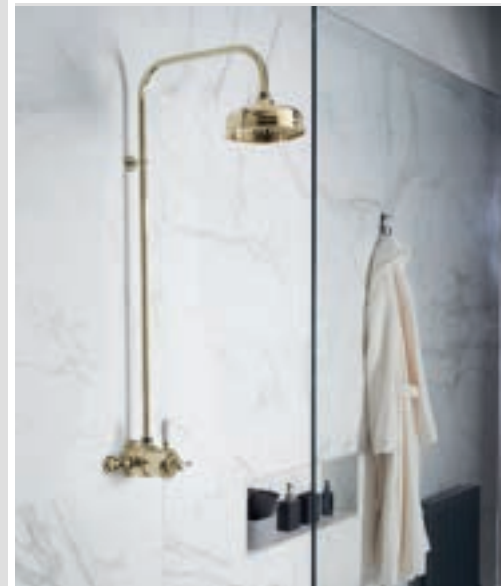
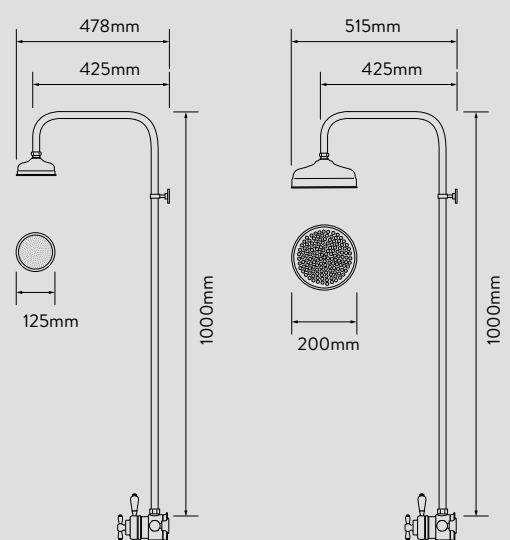
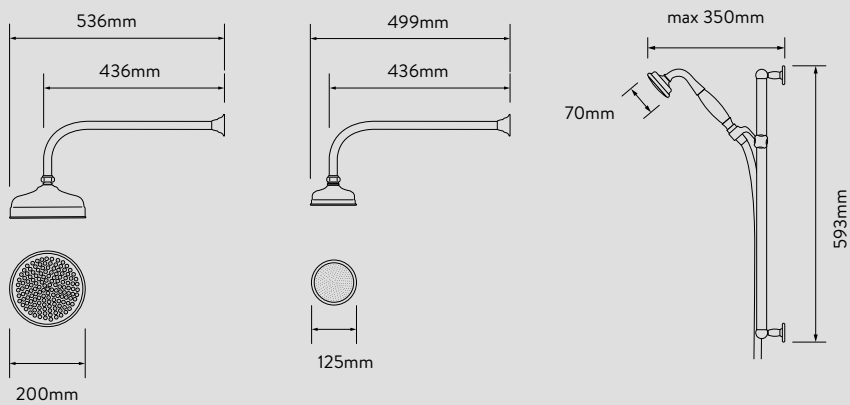
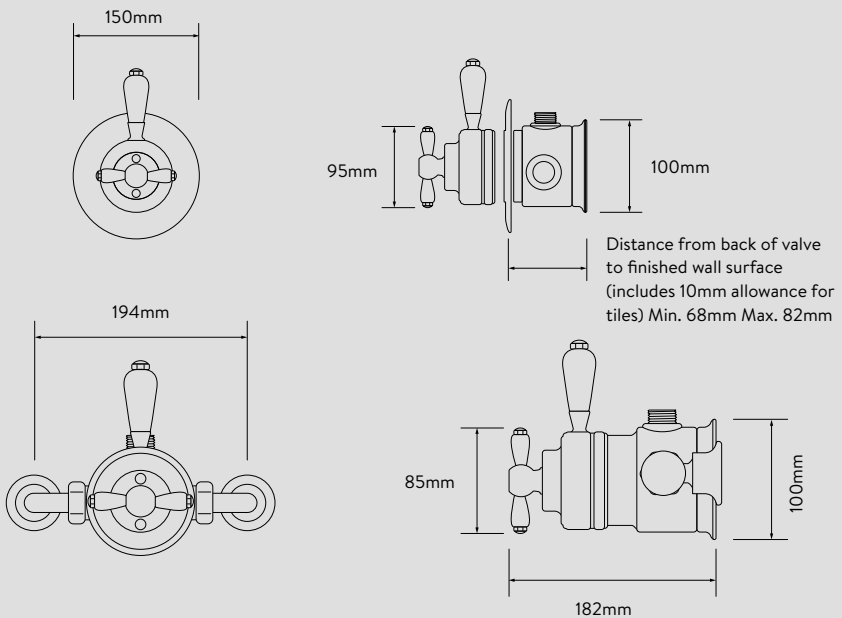
Dream™ concealed mixer shower with adjustable handset and bath overflow filler
DRMDCV2.ADBTX.RND



Dream™ concealed mixer shower with adjustable handset, wall fixed head and bath overflow filler
DRMDCV3.ADFWBTX.RND

AQUATIQUE™

DIMENSIONS



FEATURES

- 8" or 5" tilt drencher head available
- Brass bodied valve
- Victorian style adjustable handset available
- Adjustable height slider
- Ceramic handle
- Suitable for all water systems



AQUATIQUE™



Aquatique™ Thermo concealed mixer shower with fixed drencher head – chrome

Valve: 500.00.01
8" head: 580.01
5" head: 550.01



Aquatique™ Thermo exposed mixer shower with fixed drencher head – chrome

Valve: 500.10.01
8" head: 581.01
5" head: 551.01



Aquatique™ Thermo mixer shower with adjustable handset – chrome

Exposed valve: 500.10.01
Concealed valve: 500.00.01
Head: 560.01



Aquatique™ Thermo concealed mixer shower with fixed drencher head – gold

Valve: 500.00.04
8" head: 580.04
5" head: 550.04



Aquatique™ Thermo exposed mixer shower with fixed drencher head – gold

Valve: 500.10.04
8" head: 581.04
5" head: 551.04

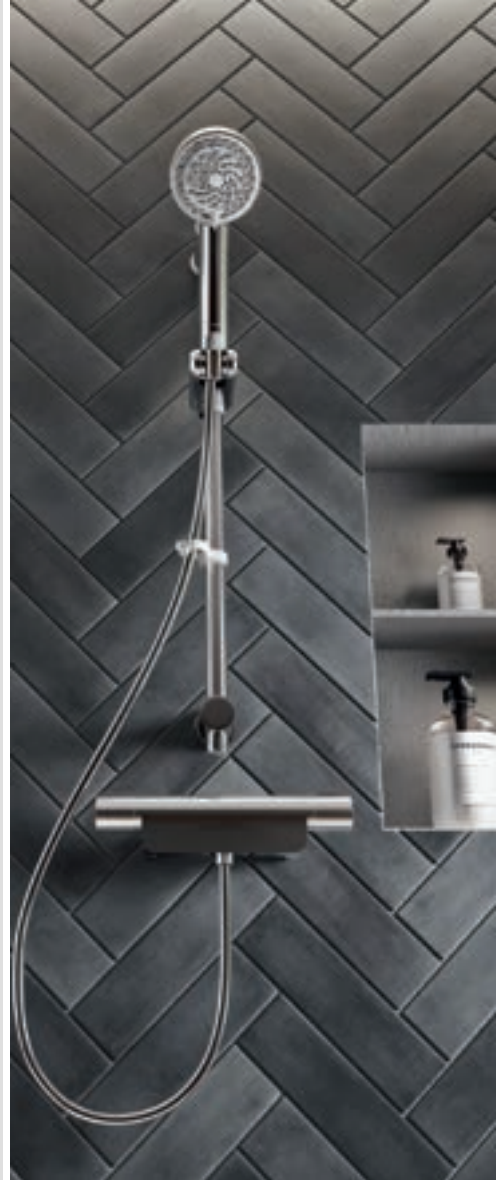
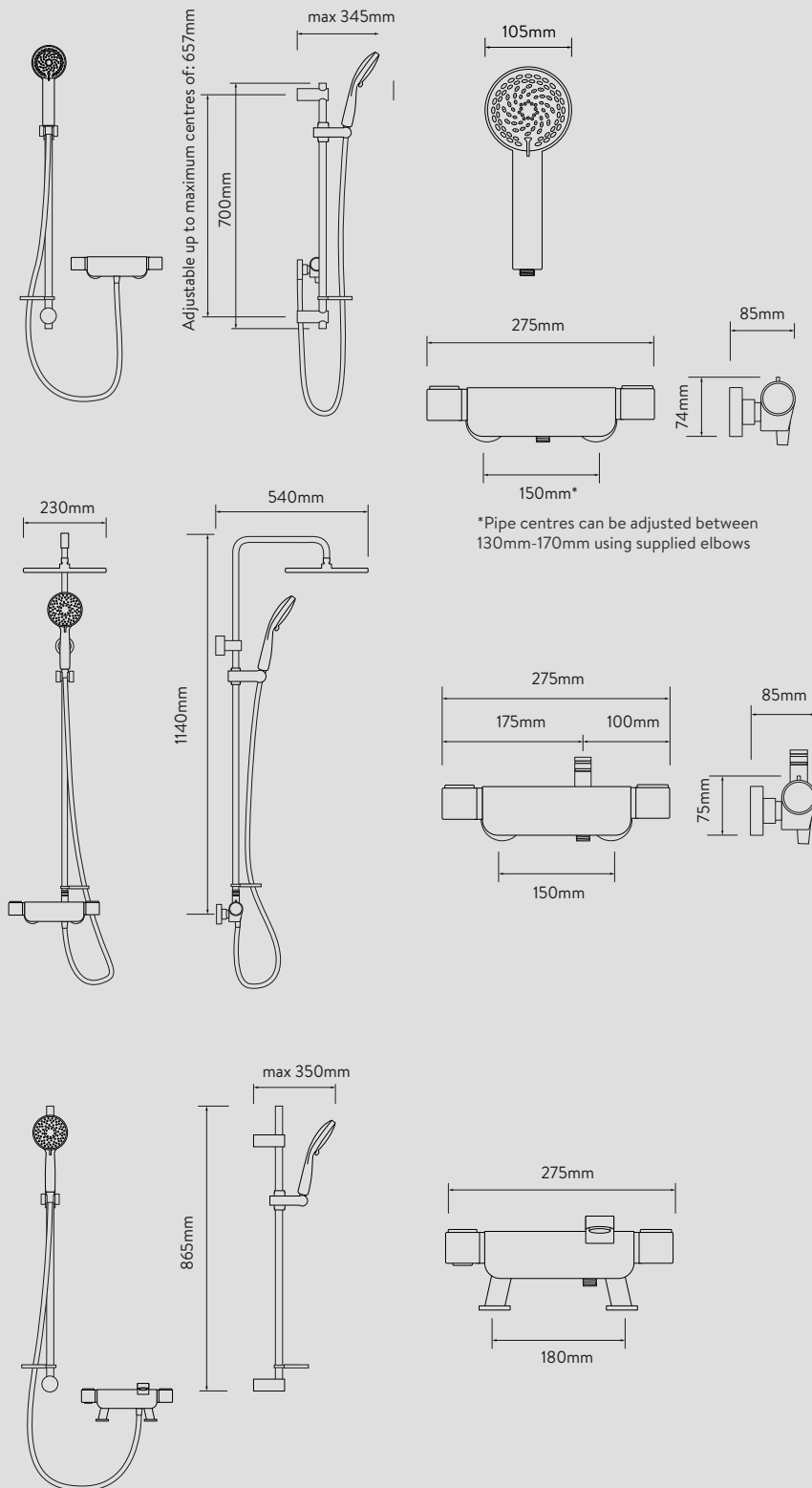


Aquatique™ Thermo mixer shower with adjustable handset – gold

Exposed valve: 500.10.04
Concealed valve: 500.00.04
Head: 560.04

MIDAS™ 220 CHROME

DIMENSIONS



FEATURES

- 105mm adjustable Harmony™ handset with 4 spray patterns
- 230mm fixed head
- Smooth chrome hose
- Easy-click spray selector
- Easy-clean nozzles
- PinchGrip™ slider
- Brass valve
- Temperature override button
- Safe touch
- Gel hanger
- Bar valve fixing kit included (with shower & shower column)
- Pipe centres can be adjusted between 130mm -170mm using the adjustable elbows supplied



*Shower column and BSM models require HP water systems

MIDAS™ 220 CHROME



Exposed bar valve with single shower outlet using an adjustable 4 spray mode handset.

MD220S



Exposed bar valve with dual shower outlets using an adjustable 4 spray mode handset and 230mm deluge head.

MD220SC

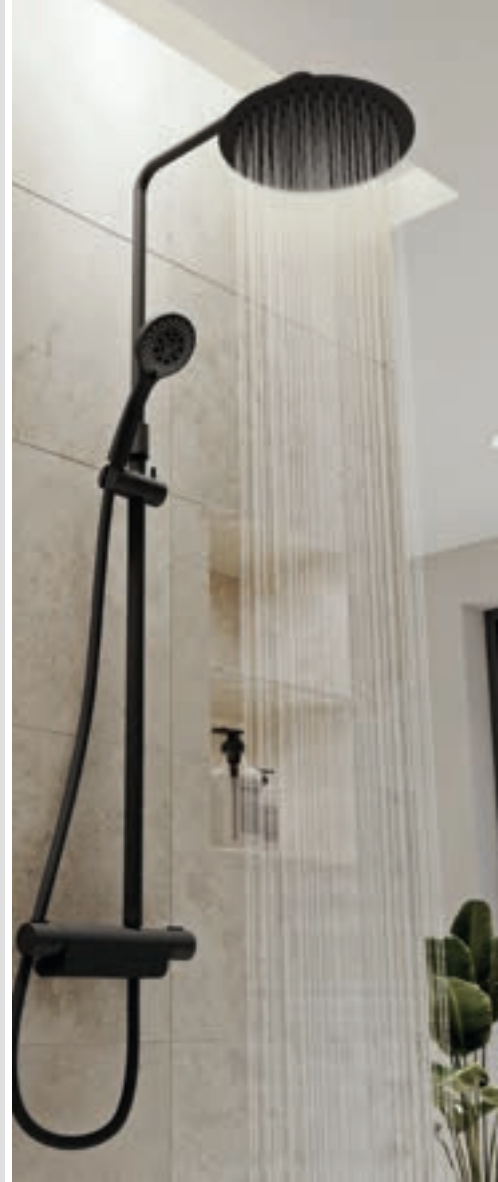
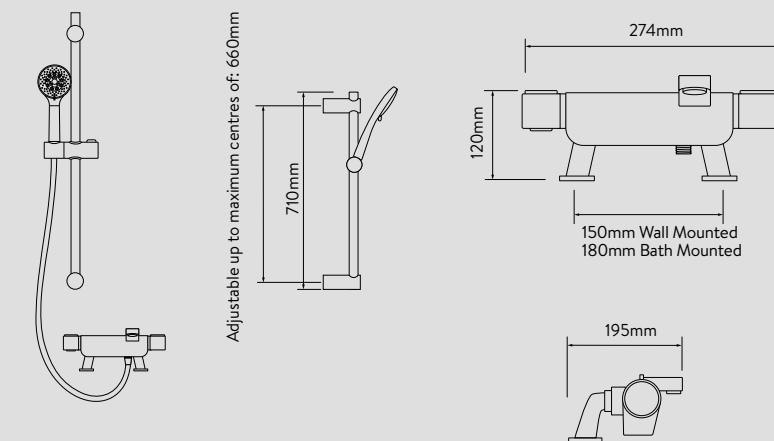
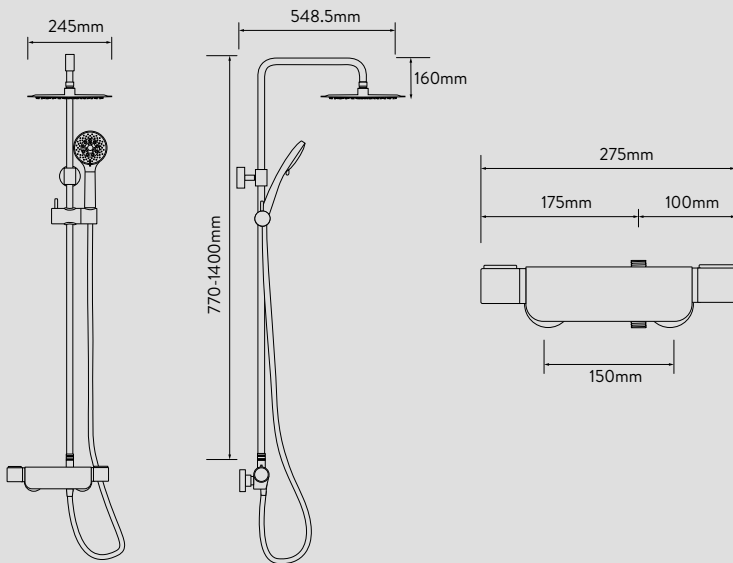
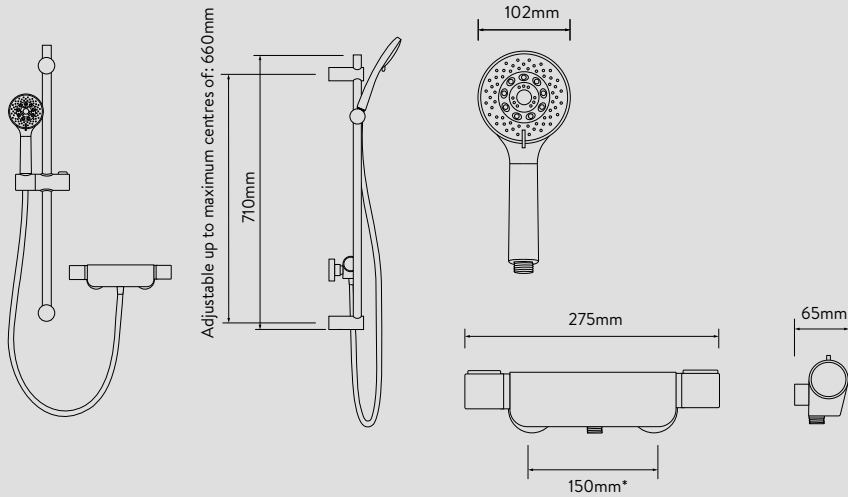


Deck mounted bath shower mixer tap and valve with adjustable 4 spray mode handset.

MD220BSM

MIDAS™ 220 MATT BLACK

DIMENSIONS



FEATURES

- 102mm adjustable handset with 5 spray patterns
- 245mm fixed head
- Stainless steel matt black hose
- Easy-click spray selector
- Easy-clean nozzles
- Push button & lever handset holder
- Brass valve
- Temperature override button
- Safe touch
- Bar valve fixing kit included (with shower & shower column)
- Pipe centres can be adjusted between 130mm -170mm using the adjustable elbows supplied



*Shower column and BSM models require HP water systems

MIDAS™ 220 MATT BLACK



Exposed bar valve with single shower outlet using an adjustable 5 spray mode handset.

MD220S.MB



Exposed bar valve with dual shower outlets using an adjustable 5 spray mode handset and 245mm deluge head.

MD220SC.MB

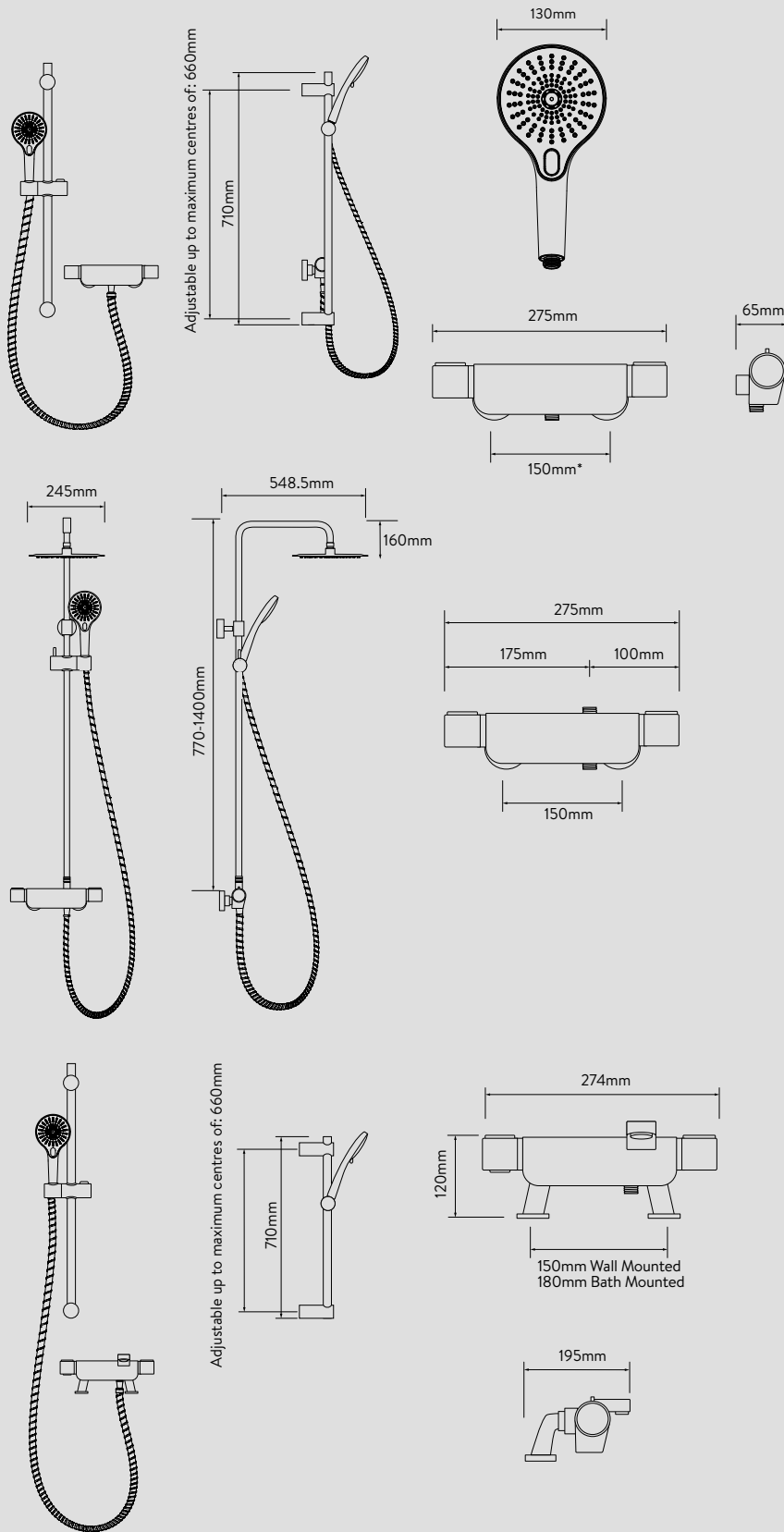


Deck mounted bath shower mixer tap and valve with adjustable 5 spray mode handset.

MD220BSM.MB

MIDAS™ 220 MATT WHITE

DIMENSIONS



FEATURES

- 130mm adjustable handset with 3 spray patterns
- 245mm fixed head
- Ribbed hose
- Easy-click spray selector
- Easy-clean nozzles
- Brass valve
- Full flow control
- Temperature override button
- Safe touch
- Bar valve fixing kit included (with shower & shower column)
- Pipe centres can be adjusted between 130mm -170mm using the adjustable elbows supplied



*Shower column and BSM models require HP water systems

MIDAS™ 220 MATT WHITE



Exposed bar valve with single shower outlet using an adjustable 3 spray mode handset.

MD220S.MW



Exposed bar valve with dual shower outlets using an adjustable 3 spray mode handset and 245mm deluge head.

MD220SC.MW

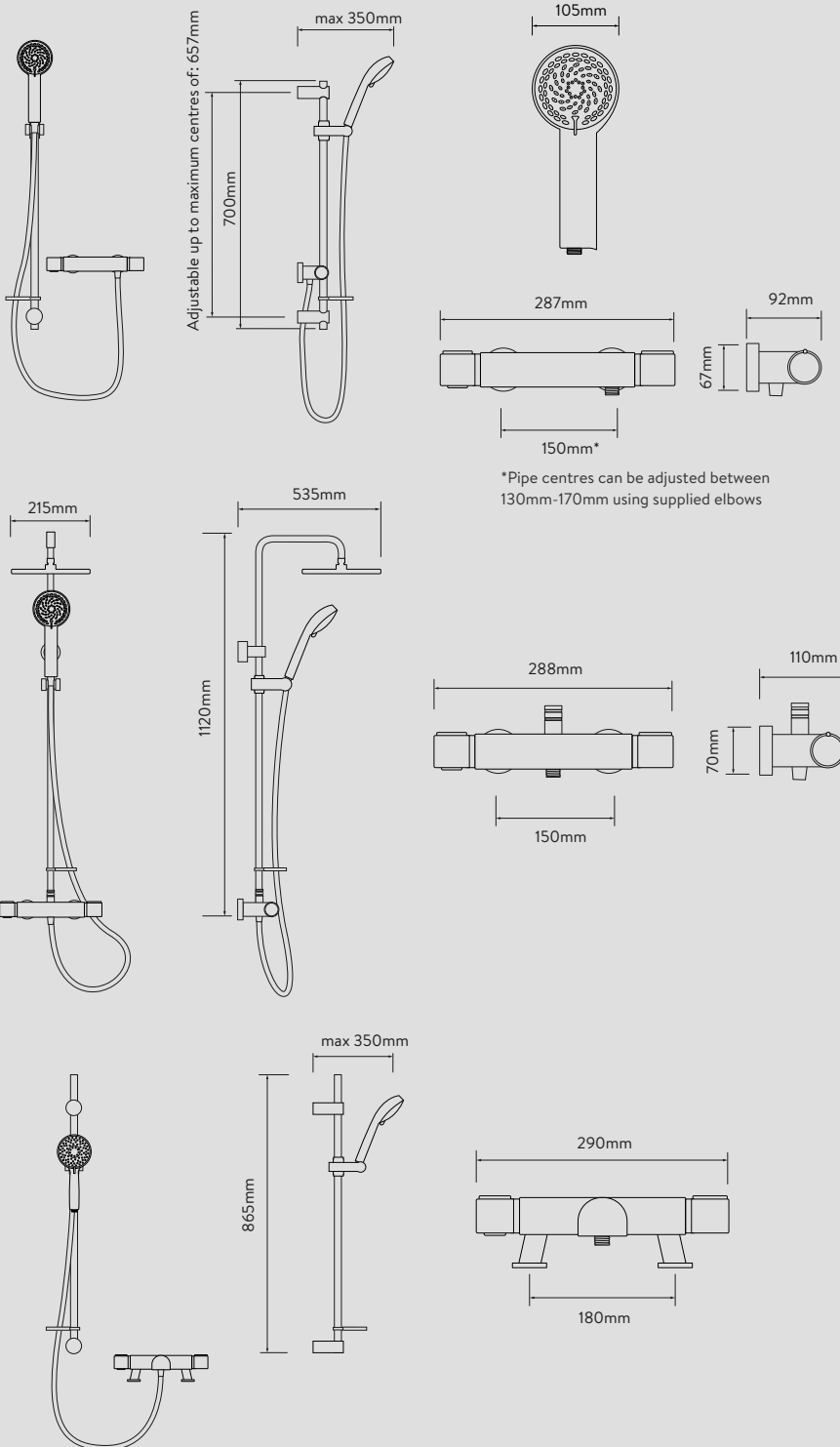


Deck mounted bath shower mixer tap and valve with adjustable 3 spray mode handset.

MD220BSM.MW

MIDAS™ 110 CHROME

DIMENSIONS



FEATURES

- 105mm adjustable Harmony™ handset with 4 spray patterns
- 215mm fixed head
- Chrome plated metal hose
- Easy-clean nozzles
- Easy-click spray selector
- PinchGrip™ slider
- Retro fit rail brackets
- Brass valve
- Temperature override button
- Gel hanger



*Shower column and BSM models require HP water systems

MIDAS™ 110 CHROME



Exposed bar valve with single shower outlet using an adjustable 4 spray mode handset.

MD110S



Exposed bar valve with dual shower outlets using an adjustable 4 spray mode handset and 220mm fixed head.

MD110SC



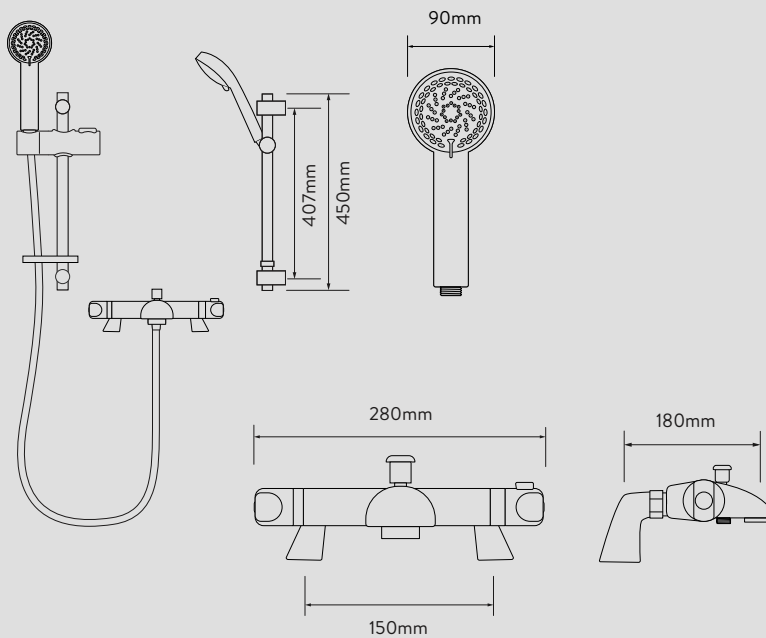
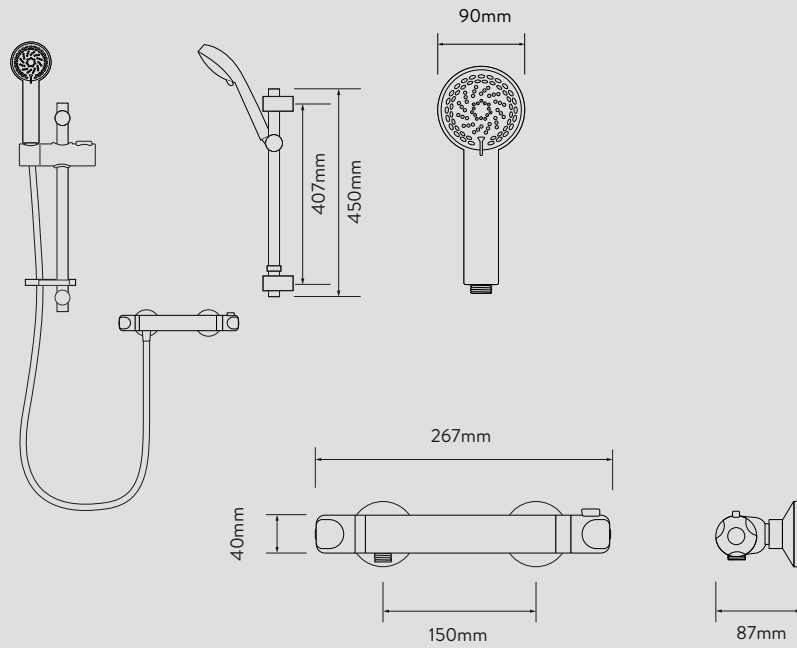
Deck mounted bath shower mixer tap and valve with adjustable 4 spray mode handset.

MD110BSM

**Plus wall mount fitting kit
525301**

MIDAS™ 100

DIMENSIONS



FEATURES

- 90mm adjustable Harmony™ handset with 4 spray patterns
- Chrome hose – 1.25m (shower) 1.75m (bath shower mixer)
- Easy-clean nozzles
- Adjustable height slider
- Easy-click spray selector
- PinchGrip™ slider
- Temperature override button
- Safe touch
- Gel hanger
- Bar valve fixing kit included with shower & shower column
- Pipe centres can be adjusted between 130mm -170mm using the adjustable elbows supplied



*Shower column and BSM models require HP water systems

MIDAS™ 100



Midas™ 100 bar mixer shower with adjustable handset

MD100BAR

Midas™ 100 bar mixer shower with adjustable handset and 'easy-fit' bracket

MD100EBAR



Midas™ 100 bath shower mixer with adjustable handset

MD100BSM

Plus wall mount fitting kit
525301

MIDAS™ ACCESSORIES



150mm centres

Concealed fixing bracket

MD300EFB



Bar valve fixing kit

BAR001FIX



479101



910056



479102



479103

Midas™ 12lpm flow regulator and housing
479101

Midas™ 9lpm flow regulator and housing
479102

Midas™ 8lpm flow regulator and housing
910056

Midas™ 6lpm flow regulator and housing
479103



Chrome exposed pipe fittings (pair)

479106

Not suitable for fixed head bar valves

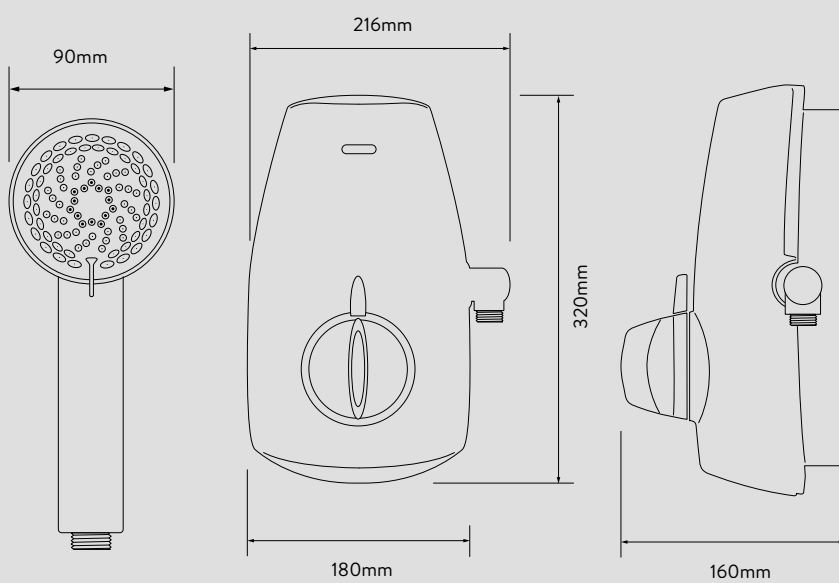
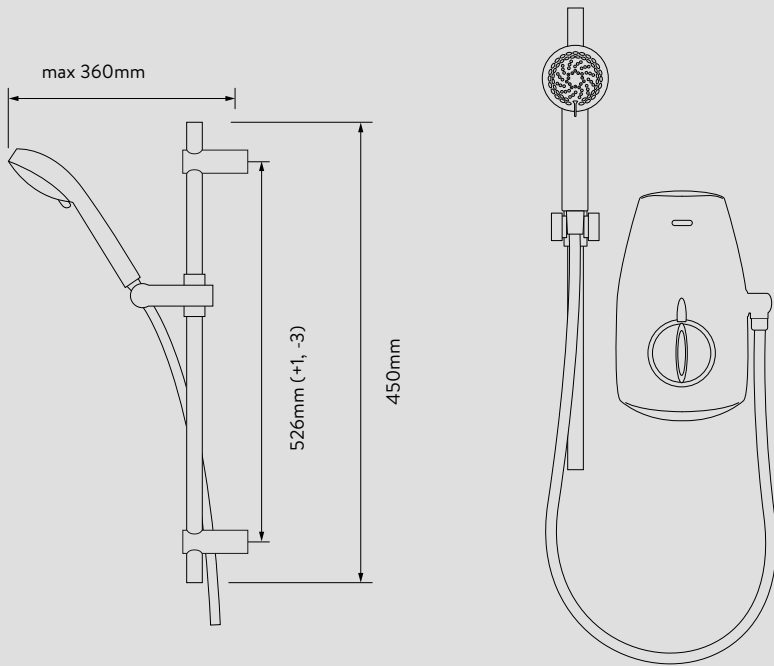


Wall mount fitting kit

525301

AQUASTREAM™

DIMENSIONS



FEATURES

- 90mm adjustable Harmony™ handset with 4 spray patterns
- Chrome plated 1.5m metal hose on chrome and white/chrome models. Smooth white hose on white only model
- Easy-click spray connector
- Easy-clean nozzles
- PinchGrip™ slider
- On/off flow control – two flow settings with integrated booster pump
- Gel hanger



AQUASTREAM™



**AquaStream™ power shower
with adjustable handset
– chrome**
813.40.01



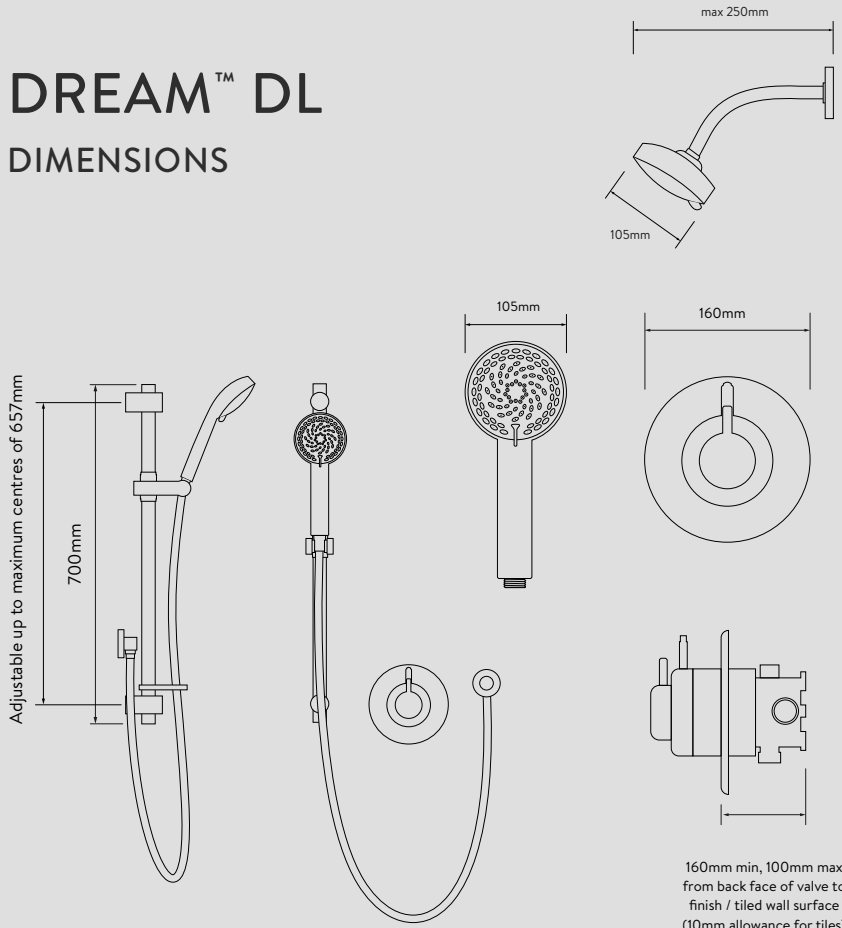
**AquaStream™ power shower
with adjustable handset
– white**
813.40.20



**AquaStream™ power shower
with adjustable handset
– white & chrome**
813.40.21

DREAM™ DL

DIMENSIONS



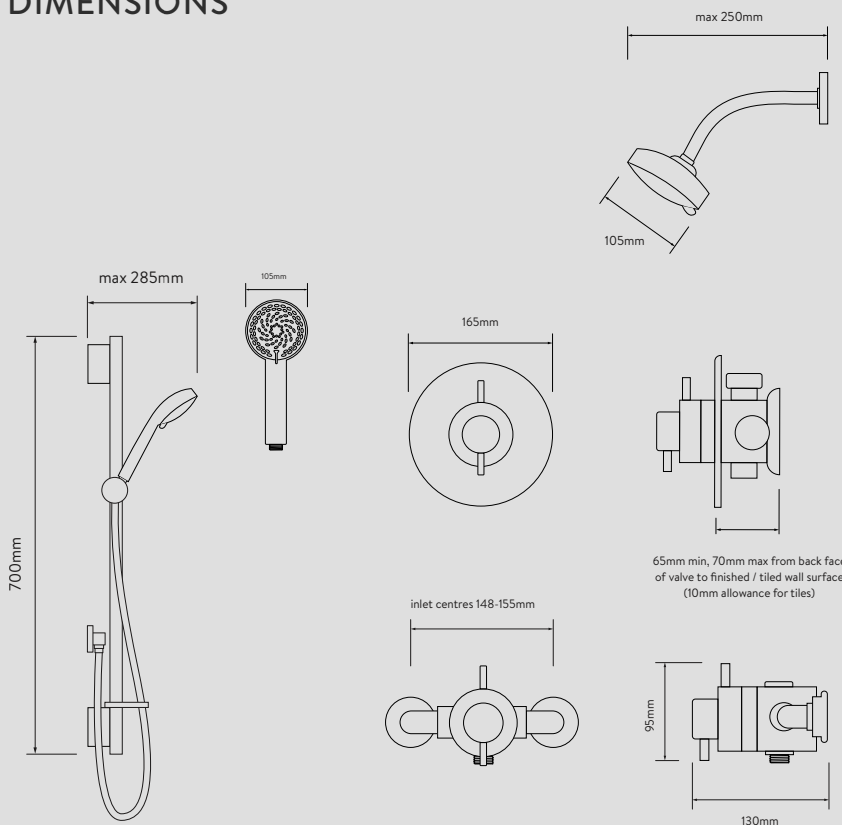
FEATURES

- 105mm adjustable Harmony™ handset with 4 spray patterns
- Easy-clean nozzles
- Easy-click spray selector
- PinchGrip™ slider
- Chrome plated 1.5m metal hose
- Temperature override button



ASPIRE™ DL

DIMENSIONS



FEATURES

- 105mm adjustable Harmony™ handset with 4 spray patterns
- Easy-clean nozzles
- Easy-click spray selector
- PinchGrip™ slider
- Chrome plated 1.5m metal hose
- Gel hanger



DREAM™ DL



Dream™ DL concealed mixer shower with adjustable handset

DRM001CA



Dream™ DL concealed mixer shower with wall fixed head

DRM001CF

ASPIRE™ DL



Aspire™ DL concealed mixer shower with adjustable handset

ASP001CA



Aspire™ DL concealed mixer shower with wall fixed head

ASP001CF

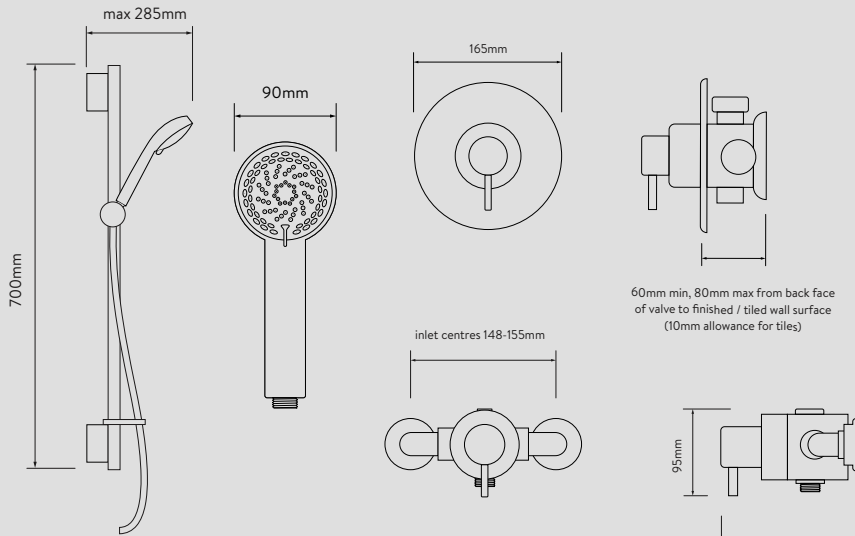


Aspire™ DL exposed mixer shower with adjustable handset

ASP001EA

SIREN™ SL

DIMENSIONS



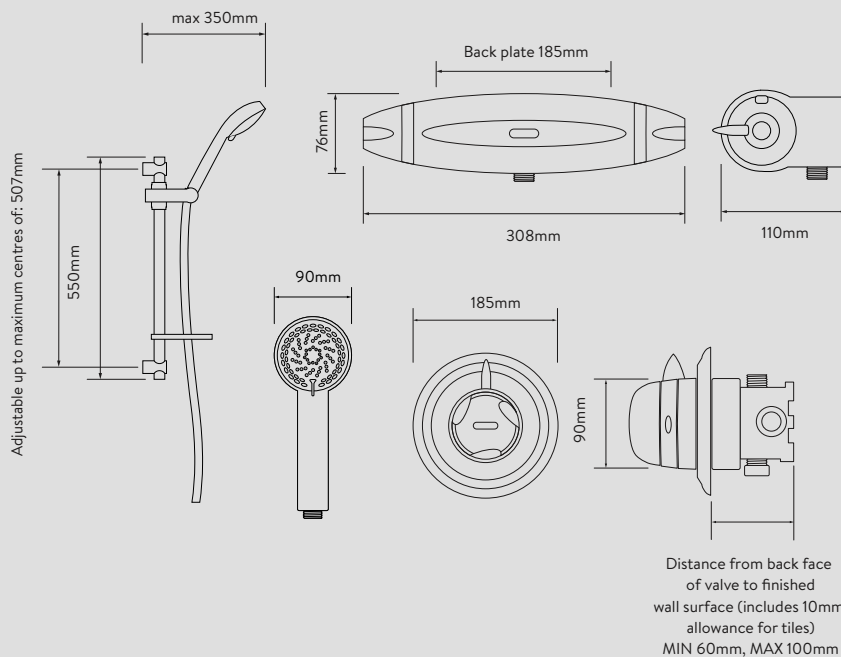
FEATURES

- 90mm adjustable Harmony™ handset with 4 spray patterns
- Chrome plated 1.5m metal hose
- Easy-clean nozzles
- Adjustable height slider
- Easy-click spray selector
- Gel hanger



COLT™

DIMENSIONS



FEATURES

- Harmony™ handset with 3 spray patterns
- Chrome plated 1.5m metal hose
- Temperature override button
- Rotating spray selector
- Easy-clean nozzles
- PinchGrip™ slider
- Soap dish



SIREN™ SL



Siren™ SL concealed mixer shower with adjustable handset
SRN001CA



Siren™ SL exposed mixer shower with adjustable handset
SRN001EA

COLT™



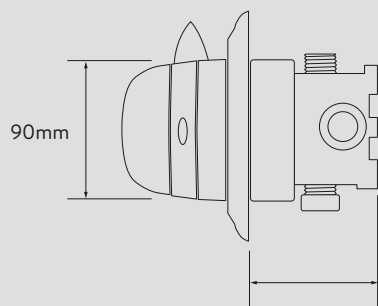
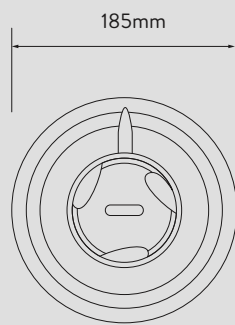
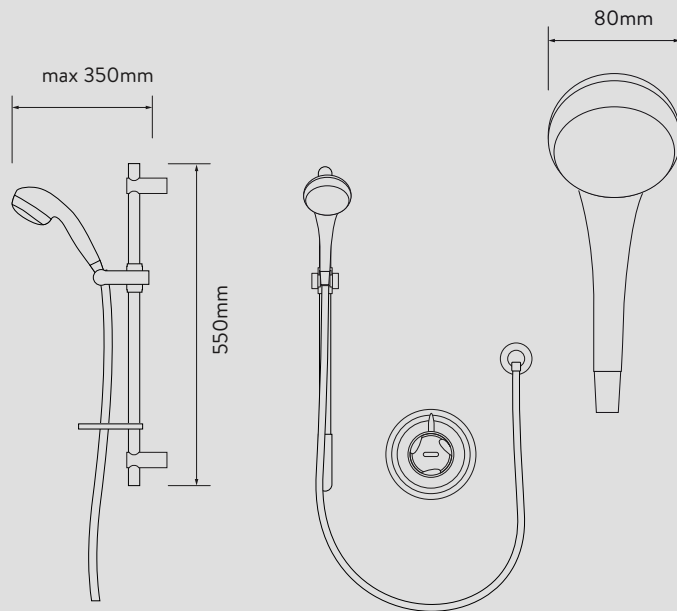
Colt™ concealed mixer shower with adjustable handset
COLT001CA



Colt™ exposed mixer shower with adjustable handset
COLT001EA

AQUAVALVE™ 609

DIMENSIONS



Distance from back face of valve to finished wall surface (includes 10mm allowance for tiles)
Min 60mm, Max 100mm



FEATURES

- Varispray™ or Turbostream™ handset with 3 spray patterns
- Easy-clean nozzles
- Rotating spray selector
- PinchGrip™ slider
- Chrome plated 1.5m metal hose
- Temperature override button
- Soap dish



AQUAVALVE™ 609



**Aquavalve™ 609 Thermo concealed valve
with adjustable or fixed head – chrome**

Concealed valve C609.01T

Adjustable Varispray™ head 99.40.01

Adjustable Turbostream™ head 99.20.01



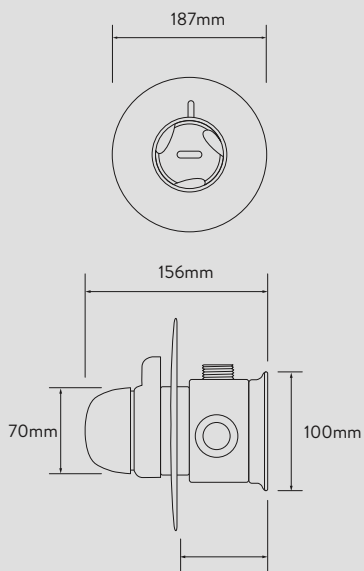
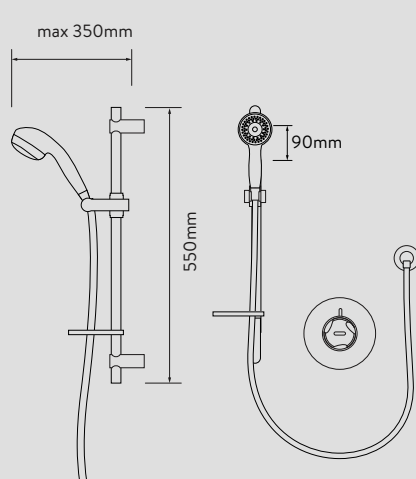
**Aquavalve™ 609 Thermo concealed valve
with adjustable or fixed head – white**

Concealed valve C609.20T

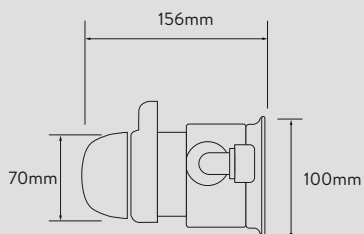
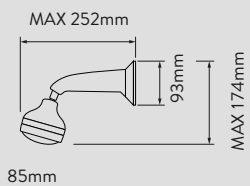
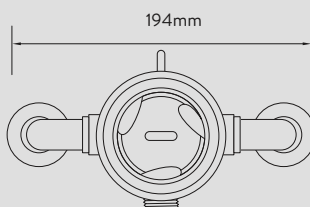
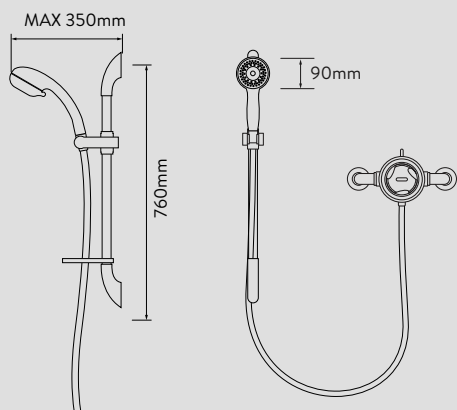
Adjustable Varispray™ head 99.40.20

AQUAVALVE™ 700

DIMENSIONS



Distance from back face of valve to finished wall surface (includes 10mm allowance for tiles)
Min 68mm, Max 82mm



FEATURES

- Varispray™ or Turbostream™ handset with 3 spray patterns
- Choice of fixed tilt head or adjustable handset
- Chrome plated 1.5m metal hose
- Easy-clean nozzles
- Hose restraint
- Soap dish



AQUAVALVE™ 700



**Aqua valve™ 700 Thermo
concealed mixer shower with
adjustable handset – chrome**

Valve
700.50.01

Varispray™ head
99.40.01

Turbostream™ head
99.20.01



**Aqua valve™ 700 Thermo
concealed mixer shower with
fixed head – chrome**

Valve
700.50.01

Varispray™ head
99.50.01

Turbostream™ head
99.30.01



**Aqua valve™ 700 Thermo
exposed mixer shower with
adjustable handset – chrome**

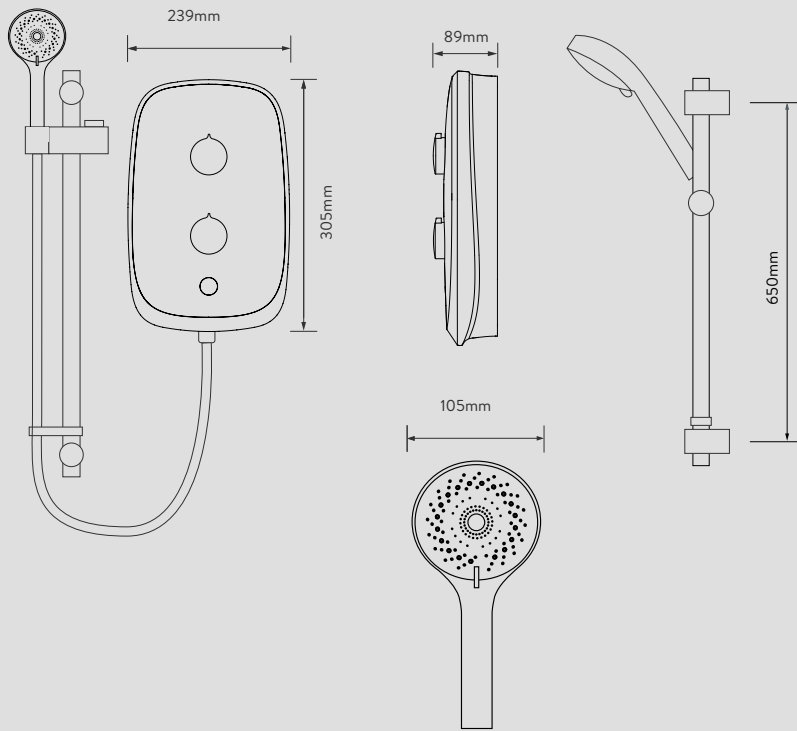
Valve
700.51.01

Varispray™ head
99.40.01

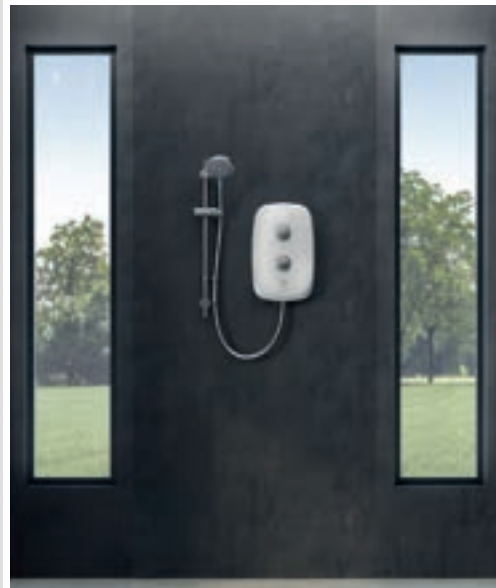
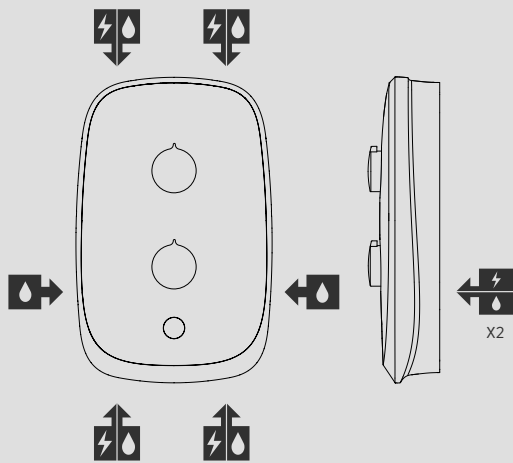
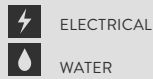
Turbostream™ head
99.20.01

eVOLVE™

DIMENSIONS



CONNECTIONS



FEATURES

- Splash handset with 3 spray patterns
- Over temperature protection system for safer showering
- Anti-scaling phased shut down technology
- Chrome plated stainless steel 1500mm hose
- Digital temperature display
- Low pressure indicator
- Easy-clean nozzles
- Power control





**eVOLVE™ electric shower
with adjustable handset -
Midnight Black**

8.5kW VOTZ25
9.5kW VOTZ26
10.5kW VOTZ27



**eVOLVE™ electric shower
with adjustable handset -
Space Grey**

8.5kW VOXZ25
9.5kW VOXZ26
10.5kW VOXZ27

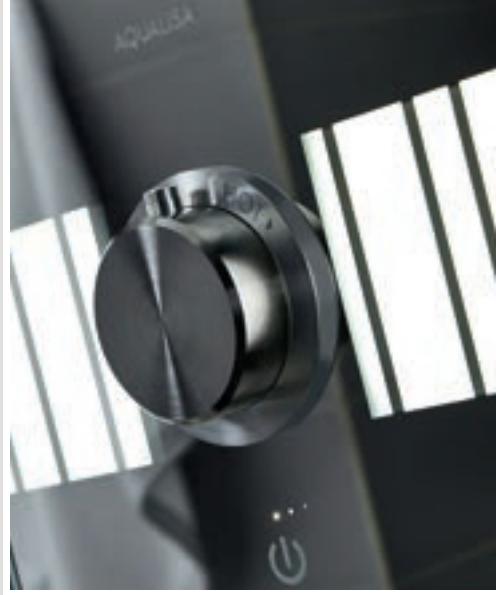
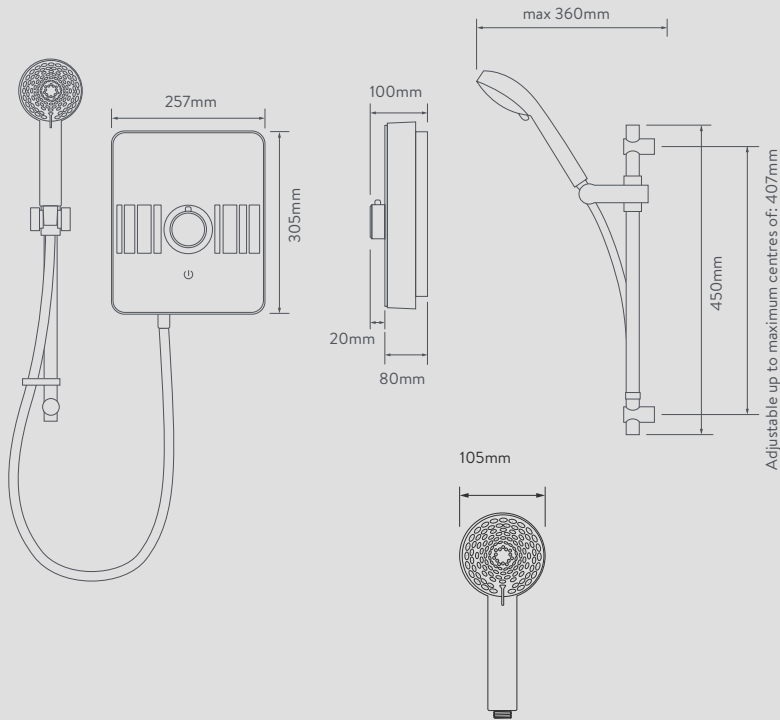


**eVOLVE™ electric shower
with adjustable handset -
Arctic White**

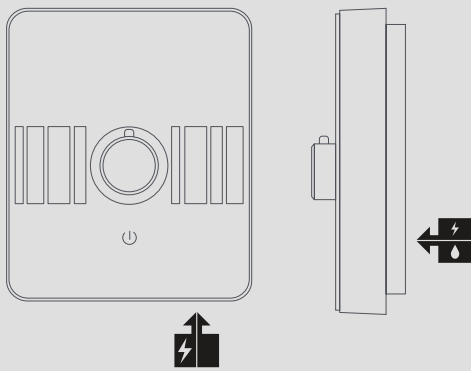
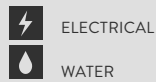
8.5kW VOPZ25
9.5kW VOPZ26
10.5kW VOPZ27

LUMI™ ELECTRIC

DIMENSIONS



CONNECTIONS



FEATURES

- 105mm adjustable Harmony™ electric handset with 5 spray settings
- Easy-click spray connector
- Easy-clean nozzles
- PinchGrip™ slider
- Deluxe 1.25m chrome hose
- Sensory touch start/stop control
- Mirrored glass fascia
- Illuminated panel
- Phased shutdown
- Unique over temperature protection
- Safety backed glass



LUMI™ ELECTRIC



**Aqualisa® Lumi™ Electric
with adjustable handset -
chrome**

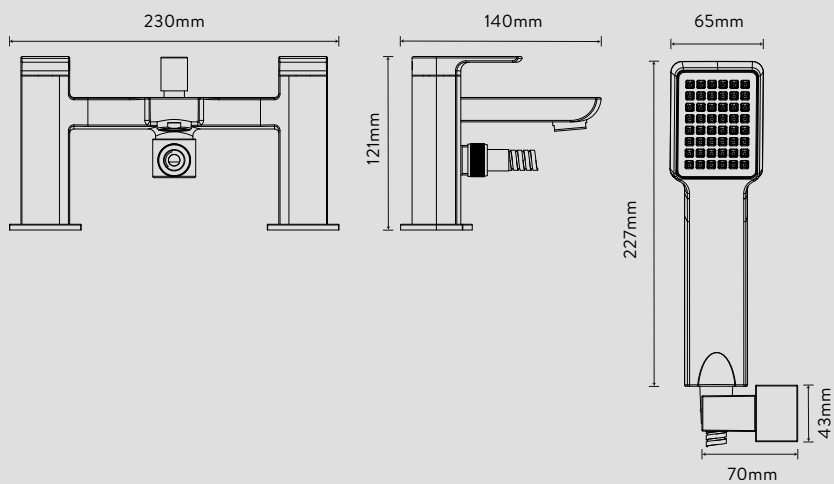
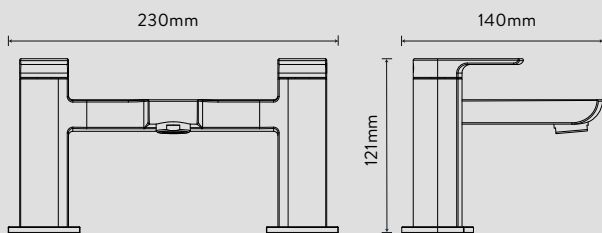
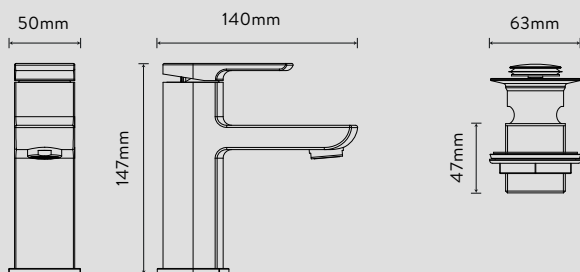
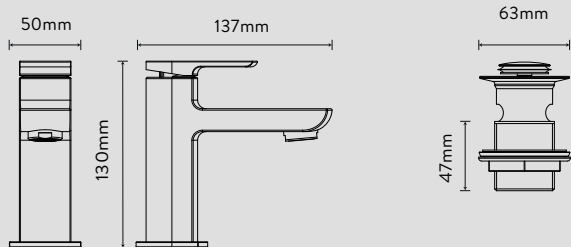
8.5kW LME8501

9.5kW LME9501

10.5kW LME10501

DOWNTOWN™

DIMENSIONS



FEATURES

- Aqualisa® branded
- LP/HP systems
- Brass body with zinc handles
- Polished chrome or matt black finish
- 5 year guarantee



DOWNTOWN™



**Downtown™ small
basin mixer tap
– chrome**
DT.SPT.CH



**Downtown™ large
basin mixer tap
– chrome**
DT.LPT.CH



**Downtown™ deck
mounted bath filler
– chrome**
DT.DBF.CH



**Downtown™ bath
shower mixer
– chrome**
DT.BSMT.CH



**Downtown™ small
basin mixer tap
– matt black**
DT.SPT.MB



**Downtown™ large
basin mixer tap
– matt black**
DT.LPT.MB



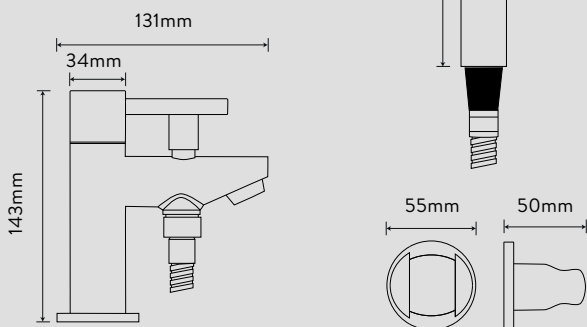
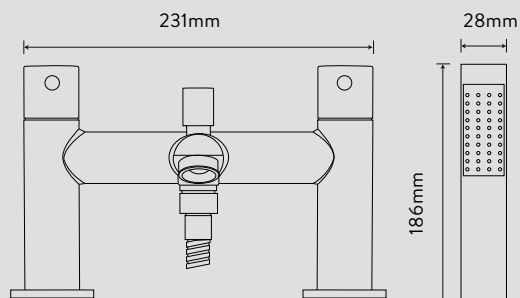
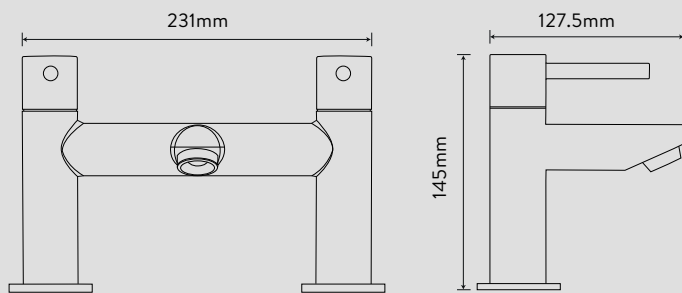
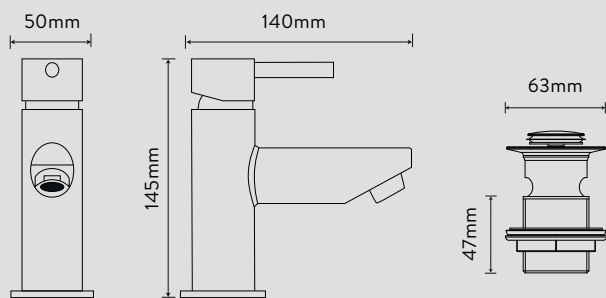
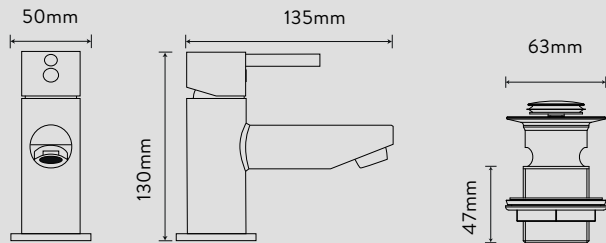
**Downtown™ deck
mounted bath filler
– matt black**
DT.DBF.MB



**Downtown™ bath
shower mixer
– matt black**
DT.BSMT.MB

UPTOWN™

DIMENSIONS



FEATURES

- Pin lever
- Aqualisa® branded
- LP/HP systems
- Brass body with zinc handles
- Polished chrome finish
- 5 year guarantee



UPTOWN™



**Uptown™ small basin
mixer tap**
CB.SPT.19



**Uptown™ large basin
mixer tap**
CB.LPT.19



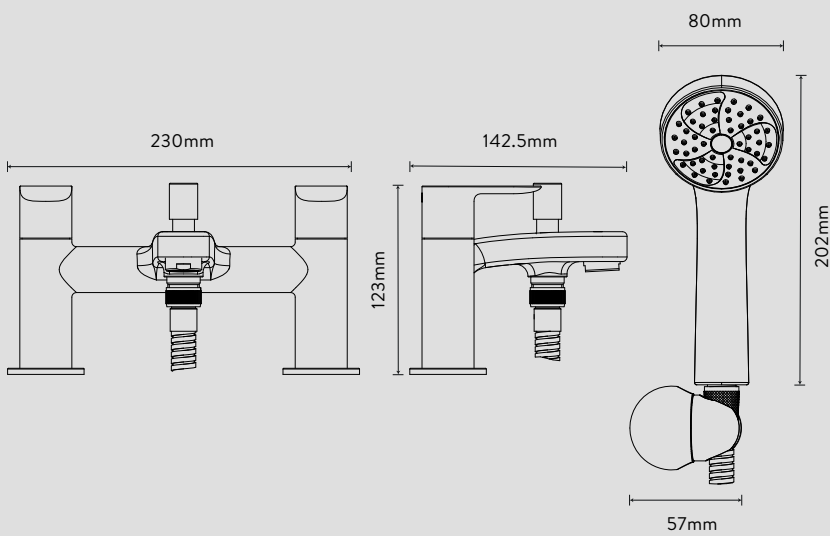
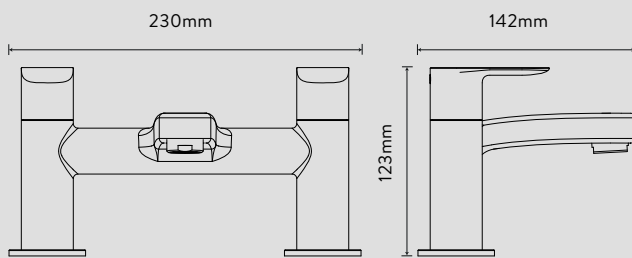
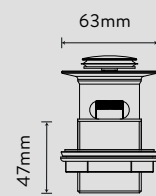
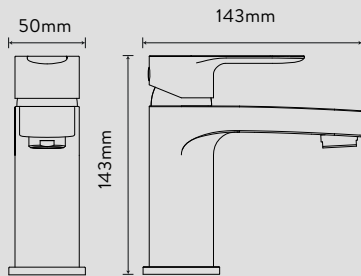
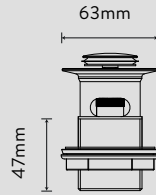
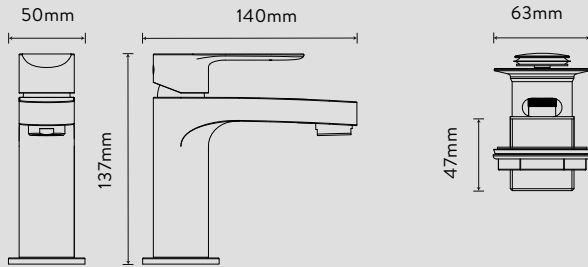
**Uptown™ deck mounted
bath filler**
CB.DBF.19



Uptown™ bath shower mixer
CB.BSMT.20

CENTRAL™

DIMENSIONS



FEATURES

- Handle lever
- Aqualisa® branded
- LP/HP systems
- Brass body with zinc handles
- Polished chrome finish
- 5 year guarantee



CENTRAL™



**Central™ small basin
mixer tap**
CT.SPT.CH



**Central™ large basin
mixer tap**
CT.LPT.CH



**Central™ deck mounted
bath filler**
CT.DBF.CH



Central™ bath shower mixer
CT.BSMT.CH

TECHNICAL INFORMATION

SMART SHOWERS

	QUARTZ TOUCH™		QUARTZ CLASSIC™	
	DUAL OUTLET	SINGLE OUTLET	DUAL OUTLET	SINGLE OUTLET
Configurations available				
Concealed valve (for more discreet finish)	•	•	•	•
Exposed valve (ideal for easy installation)	•	•	•	•
Bath shower combination	•		•	
Divert to more than one outlet	•		•	
Controller features				
Flow control*	Variable	Variable	Single	Single/Boost
One touch start/stop	•	•	•	•
Easy to use dual outlet button	•		•	
Smooth glide temperature control or lever	•	•	•	•
'Safe touch' controls	•	•	•	•
Illuminated LED display			•	•
Colour screen control menu	•	•		
Controller finish	Glass front plus colour accent	Glass front plus colour accent	Chrome plated	Chrome plated
Remote control (optional accessory)				
Remote control	Wireless	Wireless	Wired	Wired
Shower heads, hoses and rails and accessories				
Handset size (diameter)	105mm	105mm	105mm	105mm
Number of sprays on handsets	4	4	4	4
Fixed head (diameter)	230mm	230mm	230mm	230mm
Long adjustable shower rail (concealed only)	700mm	700mm	700mm	700mm
Hose style	Ribbed chrome	Ribbed chrome	Ribbed chrome	Ribbed chrome
Retrofit wall plate			•	•
Corner fixing brackets for exposed showers	•	•	•	•
Rail extension kit for exposed showers	•	•	•	•
Eco features				
Water saving spray patterns (handset only)	•	•	•	•
Eco-setting in processor*	•	•	•	•

*Feature may not operate on combination boiler systems.

TECHNICAL INFORMATION SMART SHOWERS

QUARTZ BLUE™

iSYSTEM™ SMART

DUAL OUTLET

SINGLE OUTLET

DUAL OUTLET

SINGLE OUTLET

•	•	•	•
•	•	•	•
•			
•		•	
Single	Single	Single/Boost	Single/Boost
•	•	•	•
•		•	
•	•	•	•
•	•	•	•
•	•	•	•
Chrome plated	Chrome plated	Chrome plated	Chrome plated
		Wired	Wired
90mm	90mm	100mm	100mm
4	4	1	1
200mm	200mm	230mm	230mm
700mm	700mm	700mm	700mm
Ribbed chrome	Ribbed chrome	Smooth chrome	Smooth chrome
•	•		
•	•	•	•
•	•		
•	•	•	•



All our shower heads, kits and accessories have a 2 year guarantee



All our controllers and SmartValves™ have a 5 year guarantee

TECHNICAL INFORMATION

MIXER SHOWERS

	DREAM™ CONCEALED ROUND	DREAM™ CONCEALED SQUARE	DREAM™ DL	ASPIRE™ DL	AQUATIQUE™	AQUAVALVE™ 700
Configurations available						
Concealed valve (for more discreet finish)	•	•	•	•	•	•
Exposed valve (ideal for easy installation)				•	•	•
Bath shower combination	•	•				
Divert to more than one outlet	•	•				
Controller features						
Flow control	Variable	Variable	Single	Variable	Single	Single
Temperature override button	•	•	•			
Smooth glide temperature control	•	•	•	•	•	•
'Safe touch' controls	•	•	•	•	•	•
Controller finish	Chrome plated luxury brass	Chrome plated luxury brass	Chrome plated luxury brass	Chrome plated luxury brass	Chrome or gold plated luxury brass/ceramic	Chrome plated luxury brass
'Safe touch' valve	•	•	•	•	•	•
Shower kits						
Handset size (diameter)	105mm	109mm	105mm	105mm	60mm	90mm
Number of sprays on handsets	4	3	4	4	1	3
Drencher head or fixed head (diameter)	250mm	250mm	105mm	105mm	125/200mm	90mm
Hose style	Smooth	Smooth	Ribbed	Ribbed	Ribbed	Ribbed
Eco features						
Water saving spray pattern	•	•	•	•	•	
Installer features						
Easy fit installation				• Exposed		
Retrofit suitability				• Exposed		
Guarantee period (years)						
Valve and fittings	5	5	5	5	5	3
Shower heads, rails and fittings	2	2	2	2	2	2

TECHNICAL INFORMATION POWER SHOWERS

MIDAS™ 220	MIDAS™ 220	MIDAS™ 110	MIDAS™ 100	SIREN™ SL	COLT™	AQUASTREAM™ THERMO
				•	•	
•	•	•	•	•	•	•
•	•	•	•			
•	•	•	•			
Variable	Variable	Variable	Variable	Variable	Single	Single/Boost
•	•	•	•		•	
•	•	•	•	•	•	•
•	•	•	•	•	•	•
Chrome plated luxury brass	Matt black	Chrome plated luxury brass	Chrome plated	Chrome plated luxury brass	Chrome plated	Satin/chrome White White/chrome
•	•	•		•	•	•
105mm	102mm	105mm	90mm	90mm	90mm	90mm
4	5	4	4	4	4	4
230mm	245mm	215mm				
Ribbed	Smooth	Ribbed	Ribbed	Ribbed	Ribbed	Ribbed
•	•	•	•	•	•	•
•	•	•	•	• Exposed		•
•	•	•	•	• Exposed		•
5	5	5	5	5	2	3
2	2	2	2	2	2	2

TECHNICAL INFORMATION

ELECTRIC SHOWERS

	EVOLVE™ ELECTRIC	LUMI™ ELECTRIC
Configurations available		
Arctic White / Chrome	•	
Chrome		•
Space Grey / Chrome	•	
Midnight Black / Chrome	•	
Power Rating – 8.5 kW	•	•
Power Rating – 9.5 kW	•	•
Power Rating – 10.5 kW	•	•
Shower heads, hoses and rails accessory		
Handset size (diameter)	105mm	105mm
Number of sprays on handset	3	5
Easy-clean nozzles on shower head	•	•
User features		
Power settings	3	1
Soft touch push button start/stop control	•	
Sensory touch start/stop control		•
Illuminated display	•	
Illuminated panel		•
Separate power and temperature controls	•	•
Easy glide temperature control	•	•
Safety features		
Phased shutdown Flushes residual hot water out of system	•	•
Heat sensor Safeguards user from high temperatures	•	•
Approvals		
European Water Label	•	•
BEAB	•	•
CE	•	•



Our Electric showers
and shower kits have
a 2 year guarantee



TECHNICAL INFORMATION

TAPS

DOWNTOWN™

	SINGLE BASIN	LARGE BASIN	DECK MOUNTED	BATH SHOWER
Pressure				
Min pressure required	0.2 bar	0.2 bar	0.2 bar	0.2 bar
Max pressure required	5 bar	5 bar	5 bar	5 bar
Inlet Connections				
2 x braided hose with 1/2" BSP female	•	•		
2 x 3/4" BSP			•	•
Fittings				
Rear inlet supply positions			Hot/left, cold/ right (as viewed from the front)	Hot/left, cold/ right (as viewed from the front)
Tap holes	1	1	2	2
Handle type	Lever, dual control	Lever, dual control	Dual levers for hot and cold	Dual levers for hot and cold
Hose connection				1/2" BSP
Mounting Type				
Deck mounted	•	•	•	
Deck mounted with wall mounted handset holder				•
Water Systems				
Low and high pressure systems	•	•	•	•
Features				
Brass body with zinc handles	•	•	•	•
Design	Soft Square	Soft Square	Soft Square	Soft Square
Click clack waste included	•	•		
Colour	Chrome and Matt Black	Chrome and Matt Black	Chrome and Matt Black	Chrome and Matt Black
Flow Rate				
Open outlet mixed flow rate (@ 3 bar pressure)	5.1 l/pm	4.7 l/pm	63.5 l/pm	56.4 l/pm
Guarantee Period				
5 years	•	•	•	•

UPTOWN™

CENTRAL™

SINGLE BASIN	LARGE BASIN	DECK MOUNTED	BATH SHOWER	SINGLE BASIN	LARGE BASIN	DECK MOUNTED	BATH SHOWER
0.1 bar	0.1 bar	0.2 bar	0.1 bar	0.2 bar	0.2 bar	0.2 bar	0.2 bar
5 bar	5 bar	5 bar	5 bar	5 bar	5 bar	5 bar	5 bar
•	•	•	•	•	•	•	•
		Hot/left, cold/right (as viewed from the front)	Hot/left, cold/right (as viewed from the front)			Hot/left, cold/right (as viewed from the front)	Hot/left, cold/right (as viewed from the front)
1	1	2	2	1	1	2	2
Lever, dual control	Lever, dual control	Dual levers for hot and cold	Dual levers for hot and cold	Lever, dual control	Lever, dual control	Dual levers for hot and cold	Dual levers for hot and cold
			1/2" BSP				1/2" BSP
•	•	•	•	•	•	•	•
•	•	•	•	•	•	•	•
•	•	•	•	•	•	•	•
Round	Round	Round	Round	Rounded	Rounded	Rounded	Rounded
•	•			•	•		
Chrome	Chrome	Chrome	Chrome	Chrome	Chrome	Chrome	Chrome
4.48 l/pm	5.13 l/pm	58.33 l/pm	55.98 l/pm	4.9 l/pm	4.5 l/pm	72.26 l/pm	61.74 l/pm
•	•	•	•	•	•	•	•

Choosing your shower.

This simple guide will help you choose your new shower or bath filler. Firstly, identify your water system using the diagrams and descriptions below. Then, follow the chart on the right to choose the shower or bath filler that is suitable. For further help, call us on 01959 560 010.

1. What type of water system do you have? **2. Do you want to use your hot water system?** **3. What type of shower do you want?**

Gravity system



There is normally a cold water tank in the loft and a hot cylinder in the airing cupboard. The greater the vertical distance between the tank and the shower head, the better the performance.

YES

Single outlet

Dual outlet

Bath shower mixer

NO

High pressure system



Water is provided via a high pressure hot water cylinder, which will often be located in an airing cupboard. An expansion tank is usually visible on top of the cylinder.

YES

Single outlet

Dual outlet

Bath shower mixer

NO

Combination system



A combination boiler – often referred to as a ‘combi’ – is usually located in the kitchen and fires up the moment you turn on a hot tap.

YES

Single outlet



Dual outlet

Bath shower mixer

NO

Mains cold water only



4. Solutions available

ANY MIXER SINGLE OUTLET shower marked:  or 
ANY MIXER SINGLE OUTLET shower with a separate booster pump
ANY SMART SINGLE OUTLET shower (Gravity Pumped variants)
MIDAS™ 110(S), MIDAS™ 220(S)

MIDAS™ 110(SC), MIDAS™ 220(SC), requires a separate booster pump
ANY SMART DUAL OUTLET shower (Gravity Pumped variants)
ANY DUAL OUTLET MIXER shower requires a separate booster pump

MIDAS™ 100(BSM), MIDAS™ 110(BSM), MIDAS™ 220(BSM), requires a separate booster pump
ANY SMART BATH/DUAL OUTLET shower with bath filler (Gravity Pumped variants)



ANY ELECTRIC SHOWER (water feed to be taken from cold mains only)

ANY MIXER SINGLE OUTLET shower marked: HP  or ALL 
ANY SMART SINGLE OUTLET shower (HP/Combi variants)

MIDAS™ 110(SC), 220(SC) or **ANY DUAL OUTLET MIXER** shower
ANY SMART DUAL OUTLET shower (HP/Combi variants)

MIDAS™ 100 (BSM), 110 (BSM), 220 (BSM) (Bath shower mixer variants)
ANY SMART BATH/DUAL OUTLET shower with bath filler (HP/Combi variants)
ANY DUAL OUTLET MIXER shower

ANY ELECTRIC SHOWER (water feed to be taken from cold mains only)

ANY MIXER SINGLE OUTLET shower marked: HP  or ALL 
ANY SMART SINGLE OUTLET shower (HP/Combi variants)

MIDAS™ 110(SC), 220(SC) or **ANY DUAL OUTLET MIXER** shower
ANY SMART DUAL OUTLET shower (HP/Combi variants)

MIDAS™ 100 (BSM), 110 (BSM), 220 (BSM) (Bath shower mixer variants)
ANY SMART BATH/DUAL OUTLET shower with bath filler (HP/Combi variants)
ANY DUAL OUTLET MIXER shower

ANY ELECTRIC SHOWER (water feed to be taken from cold mains only)

ANY ELECTRIC SHOWER (water feed to be taken from cold mains only)

BATHROOM MAKEOVERS

Refurbishing your bathroom from scratch can be a daunting prospect, so why not opt for a refit if you simply want to smarten up your shower? When it comes to refurbishments, Aqualisa® has long been regarded as a go-to brand by both customers and installers. Whatever the system or showering technology you're looking for, there's a good chance we'll be able to help you find the perfect solution.

Upgrade to a smart shower without re-tiling

You can now upgrade to a smart shower without the need to re-tile your shower area. The Quartz™ Smart Retrofit Shower allows you to replace almost any brand of exposed mixer shower with a model from the Aqualisa® Quartz™ Smart Collection – with quick and easy installation that won't disrupt your existing décor. This attractive shower also includes a useful storage shelf for your toiletries and bathroom accessories.

See the smart shower collection on pages 10-27



Smart loft conversions

A smart shower can solve negative head problems. If you need to fix a shower head above the water tank base, choosing a smart shower with pumped SmartValve™ is a good option. Perfect for loft conversions!

See the smart shower collection on pages 10-27



Easy to fit electric

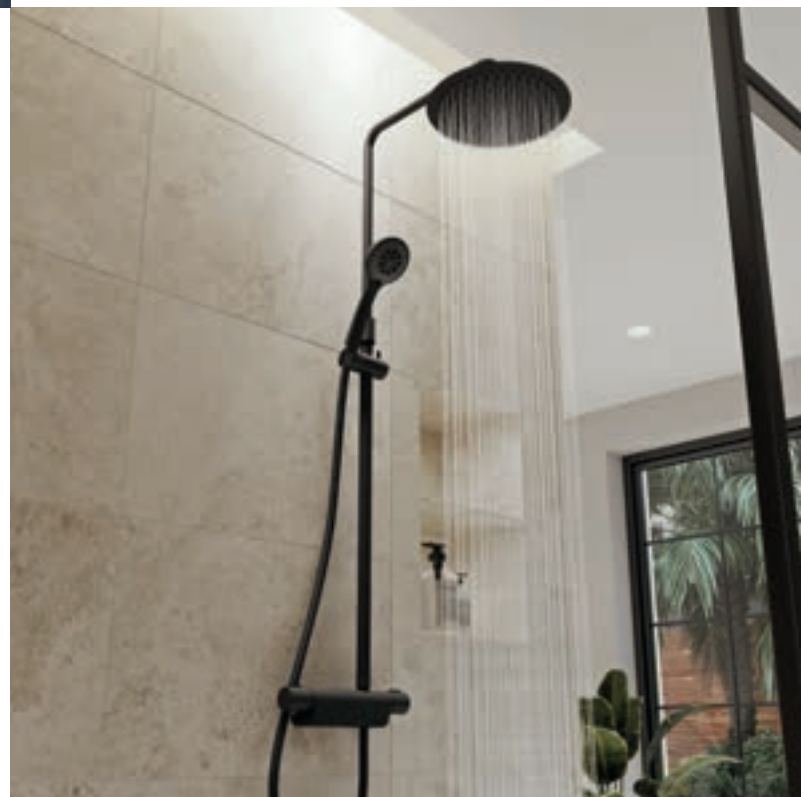
If you are thinking of installing an electric shower, look no further than eVOLVE™ range. Sleek and contemporary in design, eVOLVE™ comes in three colours and power options, and is A-rated for energy efficiency. Flexible and effortless to fit, there are eight water and electric entry points to cover all installation scenarios.

See the electric shower ranges on pages 46-53

Upgrade a bar valve to our Midas™ shower column

Changing your bar valve? Why not upgrade to a new, multitasking bar valve that offers the versatility of two shower heads? Thanks to the clever retrofit features of bar valve mixers such as Midas™ 110 and 220, installing them is a lot easier than you might think. Available in chrome, matt black and matt white.

See the Midas™ collection on pages 36-43



Complete the look

Coordinate your bathroom design, with complementary showers and taps. These eye-catching matt black Downtown™ taps pair perfectly with our Midas 220™ shower in matt black.

See the taps collection on pages 54-59

WATER SAVING INNOVATIONS

The average bath uses up to 100 litres of water. That's in comparison to a quick shower, which consumes around 30 litres. So, if you want to be greener in the bathroom, it makes sense to shower.

Smart Savings

The SmartValve™ in our smart showers can be set to 'eco' mode and is capable of reducing water flow by up to 33%, using as little as 8 litres per minute.

The SmartValve™ connects to the Aqualisa® app, allowing you to track your water usage.



Eco Heads

Our Harmony™ heads, supplied with most of our smart and mixer showers, use intelligent design to deliver a fuller spray, while allowing you to make up to 25% in water savings.



Flow Control

Our Midas™ showers are available with a choice of regulators that limit water flow to as little as 6 litres per minute. They save water, reduce running costs and meet existing building regulations.

Electric Savings

All our electric showers carry the European Water Label and are rated 'A' for energy efficiency.

YOU HAVE OUR FULL SUPPORT

We pride ourselves on fast, friendly and efficient customer service. So, whether it's a quick question about your new shower, a technical query or if you would like to arrange a visit from one of our nationwide service engineers, simply pick up the phone, email us or visit our website for a live chat. We'll be happy to help, regardless of the age or model of your shower.

CONTACT US:

ADVICE, SUPPORT AND GENERAL ENQUIRIES:



Customer Service Helpline:
01959 560 010



Switchboard:
01959 560 000



Email:
enquiries@aqualisa.co.uk



Website:
www.aqualisa.co.uk



Live chat:
www.aqualisa.co.uk



Customer Service webpage:
www.aqualisa.co.uk/customer-support

Our telephone lines are open Monday to Friday, 8am to 5pm.
We are closed on Bank Holidays, Saturdays and Sundays.

FREE INSTALLER TRAINING

Join 1000s of installers who have benefitted from Aqualisa® Installer training.
For further information visit www.aqualisa.co.uk/aqualisa-training
or call our training team on **01959 560 042**

AQUALISA®

Aqualisa Products Limited
The Flyers Way
Westerham
Kent TN16 1DE

Customer Service and Technical Helpline:
01959 560 010

Brochure request line:
0800 652 3669

Website:
www.aqualisa.co.uk

Email:
enquiries@aqualisa.co.uk



@AqualisaShowers



@AqualisaShowers



@AqualisaShowers



Aqualisa



Scan to visit
our website

The company reserves the right to alter, change or modify the product or product specifications without prior warning. Please refer to the installation guides for technical information.
Registered Trademark Aqualisa Products Limited.

Copyright © Aqualisa 2023. All rights reserved. No part of this brochure may be reproduced whether by copying or storing in any medium, electronic or otherwise, without the express permission of Aqualisa subject to any contrary provision under the Copyright, Designs and Patents Act 1988. Any unauthorised reproduction of any part of this brochure may lead to a civil claim for damages or criminal prosecution.

Errors and omissions excepted.